

SMARTSOLAR ENERGY MONITORING POSITION TRACKING SYSTEM WITH FAULT DETECTION

P. Arul Mozhi¹, M. Sivadharshini², M. Vaishnavi³, P. Venkateswari⁴, P. Sabitha⁵

¹Associate Professor, Electronics and Communications Engineering, , Vivekanandha College of Technology for Women, Namakkal

^{2,3,4,5}Students, Electronics and Communications Engineering, , Vivekanandha College of Technology for Women, Namakkal

Abstract— The standard goal of this adventure is to design an especially careful daylight-based energy checking, Fault acknowledgment and Position following of sun-controlled charger. It made from sun-controlled charger, servo motors, two LDR sensor, temperature sensor, soddenness sensor and Microcontroller. A sun-controlled charger collects sun situated energy, then, transforms it over to electrical energy, and stores it in a battery and stream and voltage will be assessed by stream and voltage sensor. The incorporating temperature and moisture will be assessed by temperature and clamminess sensor. The light power will be assessed by LDR. The current, voltage, tenacity, temperature, LDR values will be sent off Node MCU which has inbuilt WIFI so it moves the characteristics over IOT in Thinks Speak and shows the characteristics in outline. According to LDR values, expecting the voltage and current characteristics are frustrated considering the way that the LDR values is directly comparative with voltage and current characteristics, then, at that point, the issue distinguishing proof will be shown in Thinks talk. Arranging the daylight fueled charger point relative with sun using LDR. Servo motor will move the LDR as demonstrated by the Light Intensity.

Keywords— Solar panel, Servo motor, Electrical energy, LDR, Fault detection and Position tracking of solar panel.

I. INTRODUCTION

Innocuous to the environment power is quickly getting significance as an energy asset as oil subordinate costs change. At the educational level, it is along these lines key for arranging and improvement understudies to have a strategy and energy for the advances related with innocuous to the environment power. One of the most momentous innocuous to the natural structure power sources is sun coordinated energy. Many researches were worked with to cultivate a couple of procedures to broaden the reasonability of Photo Voltaic frameworks (sun filled chargers). A sunshine based energy seeing is a gadget for coordinating a sun based photovoltaic board, day lighting reflector or concentrating sun coordinated reflector or spot of relationship toward the sun. Sun facilitated power age works best when pointed obviously at the sun, so a sunlight based tracker can gather the sufficiency of such stuff over

any confirmed position. The sun controlled chargers should be backward to the sun's shafts for most fundamental energy age. Meandering from this ideal point will decrease the ability of energy age from the sheets. A couple of levels of misalignment will basically objective 1% to 5% of energy disaster, while additional unquestionable spots of 10° to 20° will generally diminish the energy season of up to 35%. In any case, this incident is also subject to the material and outline of the mindful glass that covers the light based charger. A functioning tracker utilizes engines to coordinate the board toward the sun by depending on an unquestionable circuit to see light power. There are two standard approaches to overseeing mounting a sun controlled charger for following; single turn and twofold focus point. Single revolve point trackers all around utilize a polar mount for most certain sun fuelled regard. Polar trackers have one focus adjusted to be everything considered connecting with the turn of turn of the earth around the north and south poles. Whenever stood isolated from a good mount, a solitary neighbourhood encourages the result by around 30% The following way is a two-focus mount where one focus is an upward turn and the it is the even to go with centre. By utilizing a blend of the two hatchets, the board can generally be pointed plainly at the sun. This method makes the result by normally 36% wandered from fixed sheets.

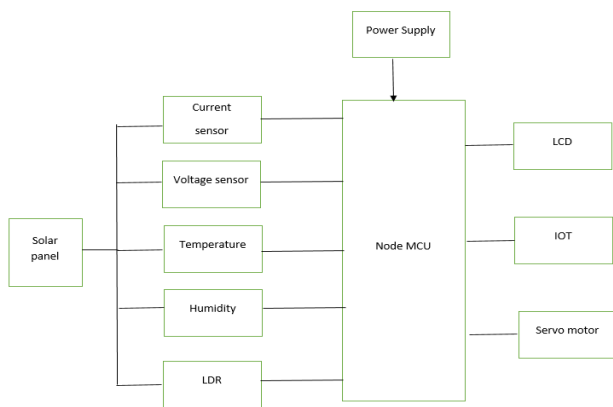
II. PROPOSED SYSTEM

In this structure, we have as of late done the daylight based energy being fittingly checked. According to the light course, energy has been saved in battery using LDR and servo motor so that position has been followed. The issue disclosure will be recognized. This huge number of noticed values will be sent off Node MCU and saw in IoT Application. A sun filled charger gathers sunshine based energy, then, at that point, changes it over to electrical energy, and stores it in a battery, stream and voltage will be surveyed by stream and voltage sensor. The temperature and sponginess will be evaluated by temperature and moistness sensor. The sunshine will be seen by LDR. The current, voltage, dampness, temperature, LDR values will be shipped off Node MCU which has inbuilt WIFI so it moves the attributes over IOT in Thinks Speak and shows the qualities in outline. As indicated by LDR values,

expecting the voltage and current attributes are overpowered considering the way that the LDR values to directly contrasting with voltage and current qualities, then, at that point, the issue affirmation will be displayed in Thinks talk. Organizing the sun controlled charger point relative with sun utilizing LDR. Servo engine will move the LDR as per the Light Intensity.

III. BLOCK DIAGRAM

A light-based charger accumulates sun energized energy, then, changes it over to electrical energy, and stores it in a battery and stream and voltage will be surveyed by stream and voltage sensor. The including temperature and tirelessness will be surveyed by temperature and dampness sensor. The light power will be assessed by LDR. The current, voltage, wetness, temperature, LDR values will be transported off Node MCU which has inbuilt WIFI with the objective that it moves the characteristics over IOT in Thinks Speak and shows the characteristics in diagram. According to LDR values, expecting the voltage and current characteristics are puzzled in light of the fact that the LDR values is directly relating to voltage and current characteristics, then the inadequacy acknowledgment will be shown in Thinks talk. Arranging the sun fueled charger point near with sun using LDR. Servo motor will move the LDR according to the Light Intensity.



IV. COMPOUND USED

a) Sunlight powered charger

Sunlight based chargers are gadgets that gather energy from the sun's shafts and use it to control a device or produce heat. Overall, of sunlight-based chargers are basically an assortment of sun-based cells, which might be utilized to get the message out about energy through a cycle as sun-arranged cell photovoltaic impact.

b) ESP8266

Chip-based Node MCU sheets are supposed to determine the issues of another connected world. Another

application processor could deal with all Wi-Fi assembling attempts for you, or you could have the application your own processor. GPIOs on the Node MCU permit it to be formed with sensors and other application-unequivocal gadgets with unimportant improvement front and center and irrelevant stacking during runtime considering its strong arranged dealing with and limit limits. Allowing for inconsequential outer hardware, the whole strategy is needed to fit on a little PCB, including the front-end module. Association and-play WIFI projects are conceivable with the Node MCU movement board. Node MCU firmware is pre-introduced on the module, requiring just the underpinning of the USB driver (under). In one bread board cheerful pack, the Node mcu WIFI Dev Board Internet of Things board melds a flat-out Wi-Fi module with all of the GPIO separated from the USB-back-to-back place of coordinated effort. Node MCU, a Lua-based firmware for the Node MCU, is pre-streaked on this board, working on it to control through an organizing language called Lua. Subsequently, incredibly fast, you'll be all set. Web of Things (IoT) projects benefit incredibly from the convenience and regardless of your perspective comfort given by the ESP-12 Lua

NodeMCU WIFI Dev Board. The Wi-Fi__33 Module chip is at the focal point of this board's plan. This Wi-Fi__33 movement board merges all of the parts expected to program and move code right on the board. 3.3V controller, thinking level converter, and USB to progressive chip move codes are totally characteristic, so you can move began immediately.

c) Voltage Sensor

A voltage not altogether settled forever and saw with the assistance of a voltage sensor. Voltage sensors can break down whether the voltage is AC or DC. This sensor's feedback is voltage, and its results meld switches, direct voltage signals, current signs, and a sound sign.

d) Current Sensor

A current sensor measures and converts current going through a deliberate way into a quantifiable yield voltage. There are different current sensor types, and every sensor is refreshed for a particular current reach and integrating condition.

e) Temperature Sensor

Temperature sensors measure the temperature of their ongoing situation and convert the data into electronic data for seeing or hailing changes in temperature. Temperature sensors come in various standard. Here you can get an arrangement of Temperature and Humidity sensors, including a Digital Microcomputer Thermostat Switch, a Humidity Controller Module, a high-temperature prevention Probe, Moisture Sensor, and extensively more modules.

a) LDR: (Light Dependent Resistors)

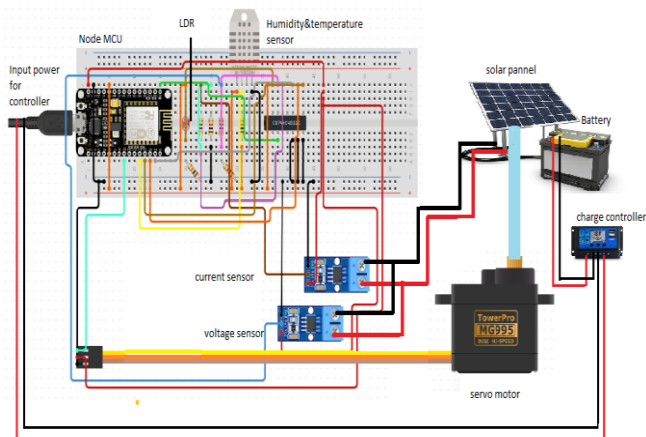
LDRs are for the most part called photograph resistors or CdS cells since they are light-reliant. A photoconductor is one more name for it. Photoconductivity is the fundamental rule of this contraption. A LED's obstruction diminishes as light power goes down, so the inactive part is on a very basic level a resistor for this. Optoelectronic contraptions, for example, this are utilized most typically in sensors that differentiation with light level or light/faint began exchanging circuits.

V.SOFTWARE USED

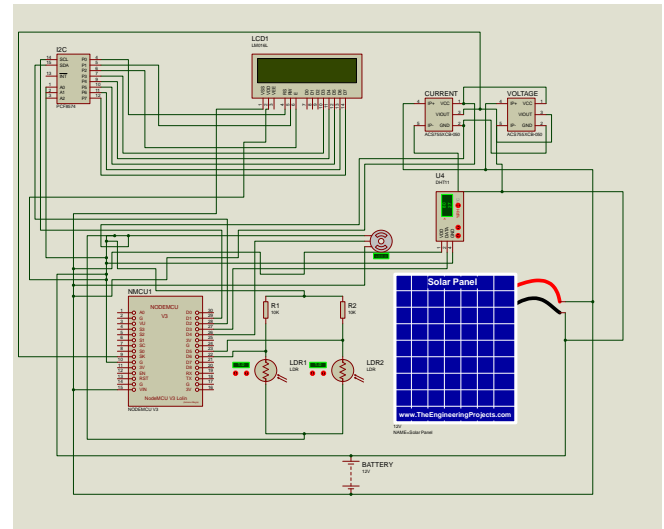
a) Embedded C

An embedded system is an application that contains somewhere near one programmable PC (normally as a microcontroller, a CPU or modernized signal processor chip) and which is used by individuals who are, in the essential, ignorant that the structure is PC based. Introduced structures composing PC programs isn't equivalent to making applications on a PCs. Key credits of an embedded system, when stood out from PCs, are according to the accompanying. Embedded devices have resource limitations (restricted ROM, confined RAM, confined stack space, less taking care of force) Components used in embedded system and PCs are interesting; introduced structures routinely use more unassuming, less power consuming parts. Introduced systems are more joined to the hardware. Two striking features of Embedded Programming are code speed and code size. Code speed is addressed by the dealing with power, timing restrictions, while code size is controlled by open program memory and usage of programming language. Objective of introduced structure composing PC programs is to get most outrageous features in rented space and least time.

VI.SIMULATION / HARDWARE DIAGRAM



VII.CIRCUIT DIAGRAM



VIII.CONCLUSION

The usage of LDR sensors and high precision voltage and current sensor guarantees a more definite and viable daylight-based energy actually looking at worldwide situating system and inadequacy disclosure. It right now shows the sensors Parameters to the User over the web Using fruitful application.

IX.FUTURE SCOPE

This task could be made astonishingly more inventive and ready for expecting environment conditions as well as human way to deal with acting tolerating that we add man-made scholarly ability to our ongoing headway. Since contemplations will be given by the framework, this sharp design will similarly help with understanding and fixing any escapes. This framework is Wi-Fi sensible, yet the GSM module ponders extra customization. The GSM module requires the use of a sim card to converse with the cloud. This technique would be quite easy to get a handle on and utilized by the whole town.

REFERENCES

[1] M. Fuentes, M. Vivar, H. Hosein, J. Aguilera, E. MuñozCerón, "Lessons learned from the field analysis of PV installations in the Saharawi refugee camps after 10 years of operation", *Renew. Sustain. Energy Rev.*, vol. 93, pp. 100-109, Oct. 2018.

[2] P.P. Ray, "A survey of IoT cloud platforms", *Future Computing and Informatics Journal*, vol 1, PP35-46. Mar 2017.

[3] M. J. E. Alam, K. M. Muttaqi, and D. Sutanto, "A novel approach for ramp-rate control of solar PV using energy storage to mitigate output fluctuations caused by cloud

passing," IEEE Trans. Energy Convers., vol. 29, no. 2, pp. 507–518, Jun. 2014.

[4] J. Marcos, O. Storkl, L. Marroyo, M. Garcia, and E. Lorenzo, "Storage requirements for PV power ramp-rate control," Solar Energy, vol. 99, pp. 28–35, Jun. 2014. [5] J. Tant, F. Geth, D. Six, P. Tant, and J. Driesen, "Multiobjective battery storage to improve PV integration in residential distribution grids," IEEE Trans. Sustain. Energy, vol. 4, no. 1, pp. 182–191, Jan. 2013.

[6] Seung-Tak Kim and J.-W. Park, "Energy management strategy and adaptive control for SMES in power system with a PV Farm," J. Electr. Eng. Technol., vol. 9, pp. 742–747, Oct. 2014.

[7] Z. Wang, Z. Zou, and Y. Zheng, "Design and control of a photovoltaic energy and SMES hybrid system with current source grid inverter," IEEE Trans. Sustain. Energy, vol. 4, no. 2, pp. 464–473, Jun. 2013.

[8] A. M. Gee, F. V. P. Robinson, and R. W. Dunn, "Analysis of battery lifetime extension in a small-scale wind-energy system using supercapacitors," IEEE Trans. Energy Convers., vol. 28, no. 1, pp. 24–33, Mar. 2013.

[9] M. J. E. Alam, K.M. Muttaqi, and D. Sutanto, "Mitigation of rooftop solar PV impacts and evening peak support by managing available capacity of distributed energy storage systems," IEEE Trans. Power Syst., vol. 28, no. 4, pp. 3874–3884, Nov. 2013.

[10] Farihah Shariff, Nasrudin Abd Rahim, Hew Wooi Ping "Photovoltaic Remote Monitoring System Based on GSM", IEEE Conference on Clean Energy and Technology (CEAT), pp. 379-382, November 2013..