

A Hybrid Image and Video Compression of DCT and DWT Techniques for H.265/HEVC

Vinod Kumar KP¹, Nandana N B², Sadanand Dombale³, Praveen kumar B⁴, Swamy C⁵

¹Asst Professor Dept. of CSE, Dr. Ambedkar Institute of Technology, Near JnanaBharathi Campus, Mallathalli, Bangalore(India)

^{2,3,4,5}UG Student, Dr. Ambedkar Institute of Technology, Near JnanaBharathi Campus, Mallathalli, Bangalore(India)

Abstract: Video has been a very important a region of diversion and communication presently daily. However, it desires Associate in Nursing outsize amount for storage quickly transmission metric. To technique large volume of data expeditiously in video, it's essential to provide high economical video retrieval technique and advanced video compression techniques. Throughout this paper, a video committal to writing theme supported hybrid DWT- DCT (HDCT-DWT) retreat, division and construction of minimum redundancy code pattern Huffman committal to writing is introduced. The hybrid DWT- DCT work on exploits the properties of every the DWT- DCT techniques Associate in Nursing provides Associate in Nursing improved compression. The hybrid compressed frame is live and entropy coded with Huffman committal to writing for generated bit streams unit transmitted to the decoder. The performances of the planned methodology is evaluated pattern compression quantitative relation, PSNR and mean sq. error. H.265 is that the digital video codec eminent for prime info compression whereas maintaining high quality. Codec is usually used for videos uploaded to the net. It is the vicinity of the MPEG-4 codec. One in all the very nice things regarding H.264 is that we are going to use it at very low and intensely high bitrates.

Keywords: Video Encoder, Redundant, DCT, DWT, Hybrid DWT-DCT Transformation, Video Compression.

1. INTRODUCTION

Data compression is that the methodology to cut back the redundancies in knowledge so on decrease knowledge storage needs and communication prices. Reducing the storage demand is love increasing the power of the medium and thence communication system of measurement [1]. Now a days, video might be a crucial a vicinity of recreation and communication but, that needs high space for storing and additionally gear mechanism of measuring. A video is organized sequence of video frames or we've an inclination to stand live getting to say that footage, that's a big a section of transmission it offer recreation and education each. We've a bent to face live able to learn things from videos there unit tutorials all totally all totally different courses offered in vogue of video and presently there unit on-line lectures offered by different institutions exploitation video streaming. But there if a problem with videos is that, it occupies very deal of data live and storage. Video compression is that the man oeuvre to decrease the

dimensions of the video therefore demand of space for storing is lower. This massive size of video is thanks to redundancies gift at intervals the data.

Video Compression primarily reduces the redundancies from the data. Compression means the trimming of data. The steps of motion estimation and compensation build compression extra economical and proper. Distinct mathematical relation reworks (DCT) and distinct wave rework (DWT) unit the foremost commonly used ways for video compression. DCT has high energy compaction and needs less procedure resources, DWT on the other hand could even be a multi resolution transformation. But the compression quantitative relation that's able to be achieved is low. To realize higher cryptography potency, in-loop filter, sample adjective offset (SAO) permits the foremost recent video compression commonplace, HEVC or H.265 area unit subjected and measured [7]. Although the fundamental vogue is built on hybrid block-based approach of mixing predictions with retreat cryptography. HEVC contains choice of cryptography tools with terribly exaggerated cryptography-efficiency capabilities that area unit before the video committal to writing standards [8]. A hybrid methodology by combining DWT AND DCT will do Associate in Nursing improved result than one by one applying the two ways. Most of this DCT primarily and DWT based mostly codec achieves Associate in Nursing occasional compression relation and additionally the computation time is extra. On the other hand the hybrid approach has shown much better finally ends up in terms of compression relation, execution time, PSNR and additionally the standard of the reconstructed frame. There unit of measurement two sorts of compression systems:-

a. Lossy Compression System:- Lossy compression techniques are used where variety of the finer details of the image are sacrificed for saving a small amount a great deal of data live or space for storing[2].

b. Lossless compression system:- lossless compression system aims at retrieving the decompressed image the image of the initial one.

Requirement for compression system: an image compression system desires the next two components:

- a. cryptography System
- b. secret orthography

Encoding System takes original image as degree input, methodology it and offers compressed image as degree output. Whereas secret orthography takes degree compressed image as input and offers the image as output that's a great deal of the image of original image. Now a days DCT and DWT unit of measurement the foremost modern techniques for compression. Each the techniques unit of measurement frequency based techniques. Every of the techniques have their own advantages and downsides. Like DWT provides higher compression quantitative relation whereas not losing a great deal of knowledge of image but it need a lot of method power [3]. Our main goal is to need the advantages of every of the compression techniques and develop a hybrid of DCT and DWT [13]. Digital videos gain an exposure due to the popularity and easy handling of video piece of writing computer code. Markov based mostly options square measure accepted for detection double compression artifacts [14].The tone-mapping theme is obligatory to convert high-bit-depth to eight-bit videos in an passing bit-depth ascensible video committal to writing. An applicable different of a tone-mapping operator is true in up the efficiency in committal to writing the bit-depth scalable encoders [15].

1.1 DISCRETE COSINE TRANSFORM (DCT)

The separate circular function work on (DCT) separates the image into utterly completely different elements of variable importance. DCT expresses a sequence of finitely several data points in terms of add of circular function functions periodical at utterly completely different frequencies[]. Specifically, a DCT could also be a Fourier-related work on rather like the separate four works on (DFT), but exploitation entirely real numbers [9]. The DCT could also be a unitary work on, which suggests that the inversion is going to be accomplished [10]

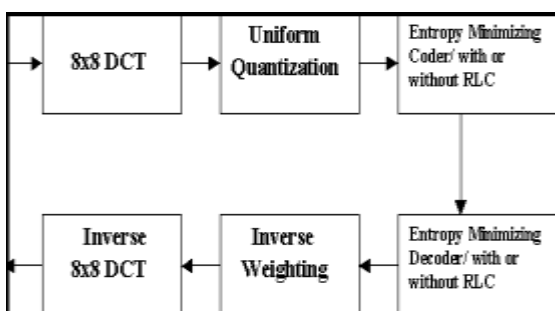


Fig1.1: DCT block

Image process by DCT:

Discrete trigonometric function rework (DCT) is wide utilized in image process by performing arts cryptography and secret writing.

Encoding Technique in DCT:

Steps to inscribe or compress the image:-

Step1. First the image is broken into N*N blocks of pixels.

Here N may even be four, 8 etc.

Step2. Working from high to bottom, left to right, the DCT is applied to every block.

Step3. Each block components unit compressed through quantization suggests that dividing by some specific worth.

Step4. This array of compressed blocks that represent the image is confining a much reduced quantity of house. So, initial the complete image is split into little N*N blocks so DCT is applied on these blocks.

The separate trigonometric function work, a large used work committal to writing technique in image and video compression algorithms. It's able to perform de- correlation of the input throughout a data-independent manner. Once an image or a frame is reworked by DCT, its initial divided into blocks, typically of size of eight pixels.

These pixels area unit remodeled on a private basis with none influence from the other encompassing blocks. The best left constant in each block is termed the DC constant, and is that the typical price of the block. The correct most coefficients among the block area unit those with highest horizontal frequency, whereas the coefficients at very cheap have the best possible vertical frequency. This implies that the constant among rock bottom right corner has the best possible frequencies of all the coefficients. The forward DCT of a separate signal for which come about in video objects or frames. This temporal compression has the potential for a heavy reduction over simply secret writing each frame on a private basis, but the result's lessened by the particular proven fact that video contains frequent scene changes. This method is noted as inter-frame secret writing.

Despite all the advantages of JPEG and MPEG compression schemes supported DCT notably simplicity, satisfactory performance, and accessibility of special purpose hardware for implementation; these aren't while not their shortcomings. Since the input image should be "blocked," correlation across the block boundaries isn't eliminated. The result's noticeable and annoying "blocking artifacts" considerably at low bit rates.

Decoding Technique in DCT:

Decoding system is precise reverse method of coding. There are four steps for obtaining the initial image not precise however the image of original from compressed image [3].

Step1. Firstly, load compressed image from disk.

Step2. Image is then broken into N*N blocks of pixels.

Step3. every block is de-quantized by applying reverse technique of division.

Step4. Presently apply inverse DCT on every block. Then combine these blocks into an image that's the image of the initial image.

Loss of data is measured by Mean sq. Error (MSE) between reconstructed image and original image. If MSE of the reconstructed image to original image is larger, than the data lost is additional. Because the variety of coefficients will increase quality of the image decreases whereas compression magnitude relation continues to extend [12].

1.2 DISCRETE WAVELET TRANSFORM (DWT)

Research activities in image committal to writing area unit targeted on the DWT, that has become a typical tool in compression applications as a result of their data reduction capability [4, 5]. In DWT, the full image is reworked Associate in Nursing compressed together data object rather than block by block as in an extremely DCT based totally compression system. Ripple analysis are accustomed divide the info of an image into approximation and careful sub signal[6].The approximation sub signal shows the overall trend of the component price, and 3 elaborated sub signals shows vertical, horizontal and diagonal details. If these details are terribly little then they'll be set to zero while not considerably dynamical the image. The compression magnitude relation will increase because the variety of zeroes will increase.

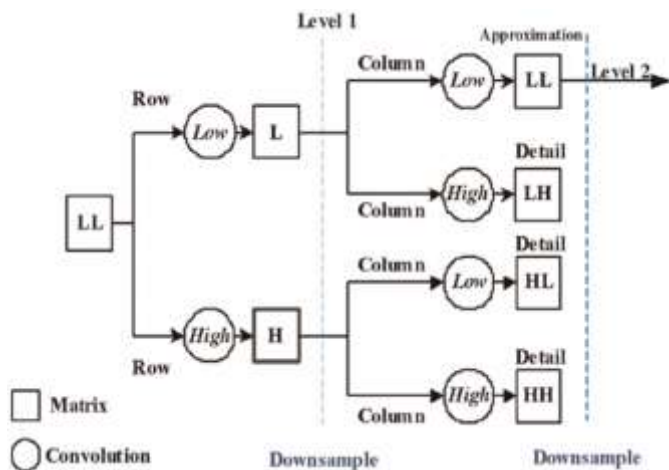


Fig 1.2: DWT Structure

Wavelets area unit operates created from one single function (basis function) known as the model or mother moving ridge by dilations (scaling) and translations (shifts) in time (frequency) domain. If the mother moving ridge is, the opposite wavelets will be meaning as Where a and b area unit 2 whimsical real numbers. The variables a and b symbolize the parameters for dilations and translations correspondingly within the time axis. From the higher than equation, it's clear that the mother moving ridge , it's potential to derive that At constant time as exposed within the higher than equation, is nothing however a time-scaled (by a) and amplitude scaled (by b) version of the mother moving ridge operate . The parameter a causes contraction

of within the time axis once a < one and enlargement or stretching once a > one, wherever the parameter a is named because the dilation (scaling) parameter. For a < zero, the operate leads to time reversal with dilation. Scientifically, exchange t in by as t-b to cause a translation or shift within the time axis leading to the moving ridge operate. The operate may be a shift of in on along the time axis through a quantity b once b > zero whereas it's a shift in left along the time axis by means that of an quantity b once b < zero. That's why the variable b represents the interpretation in time (shift in frequency) domain.

There are 2 styles of filters:-

- a. High pass filter: high frequency info is unbroken, low frequency info is lost.
- b. Low pass filter: low frequency info is unbroken, high frequency info is lost.

$$H = \frac{1}{\sqrt{2}} (1 \quad -1) [2]$$

$$L = \frac{1}{\sqrt{2}} (1 \quad 1) [2]$$

So signal is effectively rotten into 2 components, an in depth half (high frequency) and approximation half (low frequency).

Image process by DWT:

Discrete riffle remodel (DWT) is wide utilized in image process by acting encryption and decryption.

Encoding Technique in DWT:

There are six steps for pressing a picture with DWT as shown below.

Step1. Firstly, the primary image is well-versed high pass filter and low pass filter by applying filter on each row.

Step2. Then output of the every image l1 and h1 are combined into t1= [l1 h1].

Step3. Then t1 is down sampled by a combine of.

Step4. Now, t1 is all over again well-versed high pass filter and low filter by applying filter on each column.

Step5. Output of step4 is supposed to be l2 and h2. Then l2 and h2 are combined into t3= [l2 h2].

Step6. Presently t3 is down sampled by a combine of. Usually this can be} often our compressed image [4].In the below figure, a picture is shown when applying secret writing method. This figure has four blocks. The primary higher 0.5 block shows the approximation, whereas second higher 0.5 shows the horizontal detail. 1st lower level block shows the vertical detail and second lower level block shows the diagonal detail.

Decoding Technique in DWT:

In DWT, decipherment method isn't the precise reverse of the secret writing method. Steps of the decipherment of a picture area unit shown below.

Step1. Extract low pass filter image and high pass filter image from compressed image simply by taking higher zero.5 quadrangle of matrix.

Step2. Now, every of the photographs unit up sampled by 2.

Step3. Now, the summation of every footage is taken into one image called r1.

Step4. Now, over again extract low pass filter image and high pass filter image by just dividing vertically. The first zero.5 is low pass filtered image and so the second half is high pass filtered image.

Step5. Now, take summation of every of the photographs and obtained image is called as reconstructed image.

2. PROPOSED DCT - DWT TRANSFORM (HYBRID) in H.265

In the combined approach, each DCT and DWT area unit administered on the image in some sequence one when the opposite so as to compress the image way more and win a lot of higher compression ratios. Compression will increase with increase in window size for DCT and reduces with increase in window size for DWT. Then on these 8*8 blocks 2D-IDCT is performed followed by 2D-IDWT first level on the 8*8 block of pictures that lead to 16*16 blocks of pictures. Then 2D-IDWT ordinal level is applied that lead to 32*32 blocks of pictures.

Then merging is performed so as to retrieve the compressed image. The compressed image occupies less area as compared to the initial image further less than the area occupied by the image once compressed via DCT and via DWT on an individual basis.

The Hybrid DWT DCT rework exploits the properties of every the DWT and DCT techniques and provides a stronger compression. The input frame obtained from the video is 1st regenerate into a 32x32 blocks. Each block is then reworked on a private basis. The 32x32 block is converted into 16x16 once one level dwt and discarding all the coefficients except the LL (i.e. LH, HH, and HL). The second level of the 2 dimensional dwt is applied on the maintained LL coefficients. And this yields Associate in Nursing eightx 8 block once discarding all the ICSH, HH, metric displacement unit coefficients and protective only LL. The DCT is applied on this block. The lossy compression happens once the transformation by DCT, the division is applied on the DCT coefficients that rounds off the high frequency components to zero. The reverse technique, initial the inverse division is completed and then the IDCT is performed by 8x8 block. Then the first level IDWT provides a 16x16 blocks and additionally the second level of IDWT provides the 32x32 block. This technique is applied for the whole image.

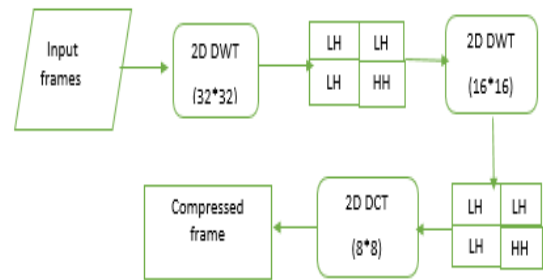


Fig 2.1: Flow chart of DCT-DWT block

3. CONCLUSIONS



Fig 3: original and compressed image

In this paper, hybrid of DCT and DWT for compression and decompression has been projected. it's ascertained that MSE is low and PSNR is high in DWT than DCT primarily based compression. It's ended that overall performance of hybrid is best than each DCT and DWT on the idea of compression

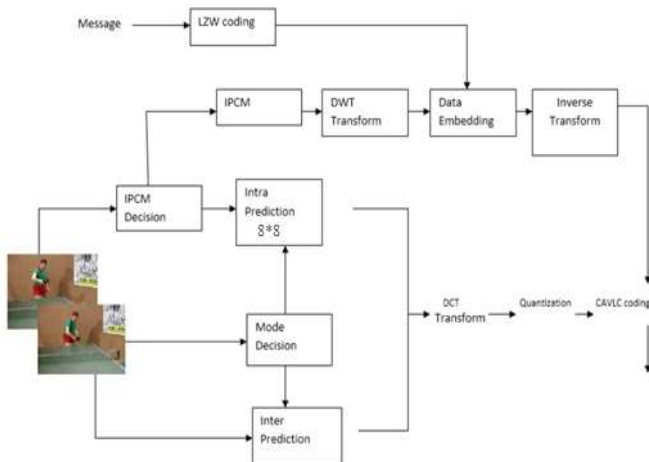


Fig 2: Detailed block diagram of proposed Data hiding in H.264/AVC

rates. It achieves high compression quantitative relation then each DCT and DWT while not a lot of loss of the image info. The image compressed with hybrid technique would force less area for storage and fewer information measure whereas transmission over the network. In this analysis work the input video is reborn into frames and conjointly the dimensions of the frames is reborn as per the requirement. Moving ridge decomposition is applied to the stipendiary image and DCT is applied additional to this frame. The hybrid compressed frame is quantity and entropy coded with Huffman writing. The encoded bit stream is initial inverse Huffman coded and IDCT reworked. Its additional IDWT reworked and intensity stipendiary. It provides a high compression quantitative relation and offers a far higher reconstruction. Future work will investigate every ways in which during which to chop back coding time whereas maintaining the majority of the gains, in addition as a result of the trade-offs unremarkably between the process complexities and writing efficiency gains for various options of the rule.

REFERENCES

- [1] M. Gupta and A. K. Garg, "Analysis Of Image Compression Algorithm Using DCT", International Journal of Engineering Research and Applications (IJERA), ISSN: 2248-9622, Vol. 2, Issue 1, pp.515-521, 2012.
- [2] P.Telagarapu, V. J. Naveen, A. L. Prasanthi and G.V. Santhi, "Image Compression Using DCT and Wavelet Transformations", International Journal of Signal Processing, Image Processing and Pattern Recognition, Vol. 4, No. 3, 2011
- [3] A. K. Katharotiya, S. Patel and M. Goyani, "Comparative Analysis between DCT & DWT Techniques of Image Compression", Journal of Information Engineering and Applications, Vol 1, No.2, 2011.
- [4] A. S. Lewis and G. Knowles, "Image compression using the 2-D wavelet transform," IEEE Trans. Image Processing, Vol. 1, pp. 244-250, 1992.
- [5] M. L. Hilton, "Compressing still and moving images with wavelets," Multimedia Syst., Vol. 2, no. 3, pp. 218-227, 1994.
- [6] R. C. Gonzalez and R. E. Woods.(1992), Digital Image Processing(2nd edition), NJ:Prentice Hall.
- [7] Choi, Y. and Joo, J. (2015) Exploration of Practical HEVC/H.265 Sample Adaptive Offset Encoding Policies. IEEE Signal Processing Letters, 22, 465-468.
- [8] Nguyen, T., Helle, P., Winken, M., Bross, B., Marpe, D., Schwarz, H. and Wiegand, T. (2013) Transform Coding Techniques in HEVC. IEEE Journal of Selected Topics in Signal Processing, 7, 978-989.
- [9] H. Singh and S. Sharma, "Hybrid Image Compression Using DWT, DCT & Huffman Encoding Techniques", International Journal of Emerging Technology and Advanced Engineering, Vol. 2, No. 10, 2012.
- [10] G. Mandyam,, N. Ahmed and N. Magotra, "Lossless Image Compression Using the Discrete Cosine Transform", Journal Of Visual Communication And Image Representation, Vol. 8, No. 1, pp. 21-26, 1997
- [11] M. Singh and A. D. Goswami, "Image Compression Technique Using Hybrid Discreet Cosine Transform (DCT) and Discreet Wavelet Transform (DWT) Method", International Journal of Advanced Research in Computer Science and Software Engineering, Vol. 2, Issue 10, 2012.
- [12] S. Anitha, "Image Compression Using Discrete Cosine Transform & Discrete Wavelet Transform", International Journal of Scientific & Engineering Research, Vol. 2, No. 8, 2011.
- [13] S. Singh, V. Kumar and H. K. Verma, "DWT-DCT hybrid scheme for medical image compression." J Med Eng Technol, vol. 31, no. 2, pp. 109-122, 2007.
- [14] Jiang, X.H., Wang, W., Sun, T.F., Shi, Y.Q. and Wang, S.L. (2013) Detection of Double Compression in MPEG-4 Videos Based on Markov Statistics. IEEE Signal Processing Letters, 20, 447-450.
- [15] Mai, Z.C., Mansour, H., Nasiopoulos, P. and Ward, R.K. (2013) Visually Favorable Tone-Mapping with High Compression Performance in Bit-Depth Scalable Video Coding. IEEE Transactions on Multimedia, 15,1503-1518.