

Implementation of Smart Surveillance System Based on Bio-Metrics

¹Anukul Bodile, ¹Sneha Ayyer, ¹Sharda Nandanwar, ¹Minal Dashore, ²Prof Shabana Pathan

¹BE Students, Department of Information Technology,

St. Vincent Pallotti College of Engineering and Technology, Nagpur, Maharashtra, India

²Assistant Professor, Department of Information Technology,

St. Vincent Pallotti College of Engineering and Technology, Nagpur, Maharashtra, India

Abstract— As Internet of things is the between systems administration of every single physical gadget. There is an expanding interest for smart homes where apparatuses respond naturally to change condition conditions and can be effectively controlled through one normal gadget. Smart surveillance system would give the proprietor a significant serenity when he/she is absent at home. In day by day life, individuals want to know the personality of a visitor who goes to their homes, paying little mind to whether they are there around then. The biometric system assumes a vital part in home security, a productive and predictable system must be created for better safety. This paper center around IOT related programmed systems which are intended to open the entryway consequently when a visitor approaches the entryway utilizing biometric system. It is an intrusion detection system that incorporates a Biometric Detection System. At the point when a validated individual uses the unique finger impression sensor, the entrance is allowed inside the house, the entryway naturally opens, notice is sent to the proprietor through SMS. At the point when an unauthenticated individual uses the unique mark sensor, a notice is sent to the proprietor, again through SMS.

Keywords— Home Automation, Smart Surveillance, Bio-Metrics, Intrusion Detection.

I. INTRODUCTION

Today is the world of cutting edge pervasive portable applications which are utilized comprehensively to spare time and vitality. These applications ease everyday existence of a typical man. As Internet of things is the between systems administration of every physical gadget. The present situation is to such an extent that individuals need to physically work different sorts of machines which on occasion isn't achievable for occupied families and people with physical confinements. Likewise there is no successful methods for controlling different mischances because of gas spillage, blast and thievery. There is an expanding interest for smart homes where apparatuses respond naturally to change condition conditions and can be effectively controlled through one basic gadget. Everything is associated with everybody.

Smart home is an exceptionally encouraging zone, which has different advantages, for example, giving expanded solace, wellbeing and security to individuals. It is balanced utilization of vitality and different assets in this way adding

to a noteworthy reserve funds as far as time and more secure. Such system will be moderate, compact and versatile with the goal that new gadgets can be effectively incorporated in to systems. The innovation is anything but difficult to utilize and focused for individuals without specialized foundation.

In everyday life, individuals want to know the personality of a visitor who goes to their homes, paying little respect to whether they are there around then. The biometric system assumes a vital part in home security, a productive and reliable system must be created for better safety.

The fundamental target of this work is to outline and execute a modest and open source home automation system that is fit for controlling and mechanizing the greater part of the house appliances. This application is a simple and reasonable web interface for client to run Home Automation System. This paper center around IOT related programmed systems which are intended to open the entryway naturally when a visitor approaches the entryway utilizing biometric system. It is another technique for confirming credibility. Biometrics utilizes natural attributes or behavioural qualities to recognize a person. What makes Biometrics extremely appealing is the way that the different security codes like the passwords and the PIN can be exchanged between individuals yet the physiological attributes can't be.

An unauthenticated individual isn't permitted to go into the house and an instant message is specifically send to the enrolled portable number about the unauthenticated individual. Robbery detection can be effectively done utilizing the movement sensors and the camera's which naturally sense a man and taps the pictures of the individual with a specific vacancy and straightforwardly sends it to the enlisted email address. Home automation includes presenting a level of mechanized or programmed control to certain electrical and hardware system in a building. The home automation winds up imperative, since it gives the client the agreeable and effectively to use the home gadgets. This paper show a basic home automation system which contains a remote versatile host controller and a few customer module (home machines). The execution and outline of remote home automation control utilize the Raspberry pi. Home automation system is incorporated so any individual can without much of a stretch access home apparatuses, for example, fan and light remotely. Here we will see a few focuses with respect to reason behind picking

this topic and what is the necessity of this kind of the venture in our everyday life is the Security. No Wiring Required, Portability and Security.

II. LITERATURE SURVEY

In the paper [1], a continuous Smart entryway system for home security. With the expanding security issues, it is important to utilize new advancements. In general system there will be two distinctive huge strategies to give home security. One is to utilize video innovation to see front entryway progressively and another is to give correspondence between entryway system and smart telephone. On exploring we have taken thoughts from different point of view from different ventures. Using an IOT doorbell is to demonstrate that it can be a one of a kind idea that would stand separated from rest of the doorbell systems. The utilization of new innovation in conjunction with an equipment system keeping in mind the end goal to disentangle regular day to day existence would start enthusiasm for a consistently developing present day society.

This paper [2] presents an extensive portrayal about various home automation systems and innovations from a security point of view. The work features different security imperfections in existing home automation systems. In our work, we address how the idea of security and the significance of "interloper" have developed after some time. We look at the difficulties in home automation security from the perspective of both the homeowner and security design.

In this paper [3], IoT from Arpanet to condition of craftsmanship remote correspondence in vehicles is exhibited. The historical backdrop of the remote principles utilized as a part of IoT is portrayed which gives the way took after by the group of IoT utilizing distinctive correspondence modes. It is watched that Wi-Fi is the speediest of all the remote gauges utilized for IoT.

This paper [4], centers around the field of IoT, abstracting of IoT gadgets is one of the vital innovations. Keeping in mind the end goal to digest IoT gadgets, we have built up a virtual machine (VM) for remote sensor hubs. Likewise, clients can refresh the program on the IoT gadgets through the remote sensor organize. They don't have to gather the sensor hubs in the earth for changing the conduct of the sensor organize. In this paper, we present our sensor organize system utilizing the VM and the utilization cases.

This paper [5] incorporates with the appearance of internet-of-things (IoT) - based home automation systems, time synchronization procedures for low power sensor modules are sought after. The system time convention (NTP) isn't material to home automation systems because of its constrained processing assets. This paper proposes a lightweight time synchronization calculation for CoAP-based home automation system systems. The CoAP alternative field

and a shim header are utilized to incorporate time-stamps in the home automation system. The proposed plan would thus be able to be connected to both IP-based and non-IP-based home automation systems. In explores different avenues regarding a few family unit gadgets having non-IP correspondence interfaces, trial comes about demonstrate that the proposed method gives a normal mistake of 1 ms and a system overhead diminishment of 17% when contrasted with the perfect NTP benefit.

In this paper [6], we are introducing a proposed system for Smart Home Automation strategy with Raspberry Pi utilizing IoT and it is finished by coordinating cameras and movement sensors into a web application. To outline this system, we are utilizing a Raspberry Pi module with Computer Vision procedures. Utilizing this, we can control home machines associated through a screen based internet. Raspberry Pi works and controls movement sensors and camcorders for detecting and surveillance. For example, it catches interloper's character and identifies its quality utilizing basic Computer Vision Technique (CVT). At whatever point movement is recognized, the cameras will begin recording and Raspberry Pi gadget cautions the proprietor through a SMS and alert call.

This paper [7] comprehensively centers around Wireless sensor and actuator systems (WS&ANs) are another innovation in light of systems of little radio-empowered implanted gadgets that are being conveyed in territories, for example, ecological checking, vehicle following, building administration, body observing and different applications. Power hotspots for arrange hubs are often constrained, which forces confinements on equipment assets and their utilization by the hidden inserted software. We propose another remote sensor arrange engineering that is particularly intended for the undertaking of home automation. Our system depends on a low power WS&AN that utilizes vitality gathering strategies to boost hub lifetime and an installed private door that offers client collaboration and secure network to the outside world. The benefits of our system are its adaptability, low power, independence and flexibility.

Based on this paper [8], the fundamental capacities that keen home control system ought to have, this paper gives the entire structure of this system and chooses a star arrange as its system topology first. Home door not just completes the spanning capacity between outer system and inner system yet in addition embraces the administration of inward system and the underlying setting of terminal hub and counteracts illicit access and intrusion of the outside world to home system and terminal hub gathers and transfers information and controls the working conditions of family unit machines as indicated by house proprietor's charges. And after that, it talks about the necessities of the system for equipment and software in plan. Lastly, it wholes up the elements to be predominantly considered in system outline and acknowledgment in view of the investigation of

attributes and lacks of conventional astute home control systems.

Internet of Things (IoT) is quick turning into a troublesome innovation business opportunity, with guidelines developing principally for remote correspondence between sensors, actuators and devices in everyday human life, all when all is said in done being alluded to as "Things". This offers the capacity to quantify for understanding condition pointers.

This paper [9] addresses the internet of things (IoT) as the primary empowering element of promising worldview for mix and exhaustive of a few innovations for correspondence arrangement, Identification and incorporating for following of advances as remote sensor and actuators. IoT as imagined is billion sensors associated with the internet through the sensors that would be create substantial measure of information which need to break down, translated and used.

III. PROPOSED APPROACH

Current systems don't utilize movement sensor innovation. So if an interloper gets into a house from a window(say) there is no real way to tell other than if the proprietor is utilizing unpredictable robber alert with reed switches, inactive infrared finders, infra-solid indicators, ultrasonic identifiers, microwave locators, and so on, all through the house. This is certainly not something everybody could bear the cost of and furthermore it is by all accounts exaggerating for the sake of security, our task unravels this shortcoming. Suppose if the proprietor chooses to utilize a variety of CCTV cameras, the cameras should be constantly dynamic when nobody is at home. There must be a decent stockpiling arrangement set up that the cameras will bolster the video sustain. The proprietor would need to monitor the cameras, dependably. This isn't plausible for home surveillance. There is no compelling reason to persistently monitor the circumstance in our venture, as just the movement locator is constantly dynamic and the camera module just initiates after any movement is distinguished. This disposes of the consistent checking and capacity issue.

The unique mark sensors accessible in the market are very exorbitant. Despite the fact that they look better, they offer same dpi (Dots per inch) and speed when contrasted with the less expensive programmable unit we expect to utilize. The industrially accessible units are exorbitant additionally in light of the fact that they are independent, in that, the calculation is work in. Whereas the calculation part of our unique mark sensor is done by the Raspberry pi. Home automation systems that are accessible in the market are for the most part single reason as it were. The Raspberry-pi that we would utilize, congratulates the home automation usefulness as well as encourages the utilization of camera module and inner stockpiling choice, subsequently being savvy without being less advantageous. This is likewise an approach to spare vitality on the off chance that

one neglects to turn off the electrical machines since these apparatuses are open to the client from anyplace around the world. The light and temperature sensor takes into account encourage automation as indicated by temperature and sunshine light levels where as different systems by and large just give on and off usefulness.

The proposed system utilizes two levels of intrusion detection as unique finger impression sensor and movement sensor with going with camera. This is controlled with the assistance of a small scale controller and Raspberry pi. Sensors like light sensor and Temperature sensor are utilized as a part of a bound together ecosystem for consistent data exchange inside the sensors. This additionally decreased the need of having different smaller scale controller units and calculation units for different sensors and modules. Other than taking care of the movement sensor and camera module, Raspberry pi likewise bends over as a controller for home automation system and a nearby stockpiling gadget for putting away the camera shots before it is sent to the proprietor through. Email. This unification of different highlights in single smaller scale controller and a Raspberry pi calculation gadget at last diminishes a considerable measure of messiness and gives some undeniable cost slicing benefits without sacrificing usefulness. Figure 1 demonstrates the system architecture that speaks to the formal working of the system.

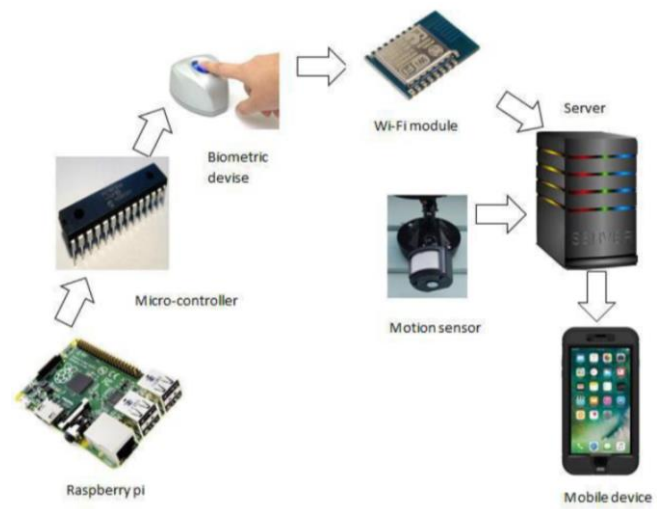


Figure 1 System Architecture

IV. IMPLEMENTATION DETAILS

Following figure 2 shows the complete circuit of the implemented system.

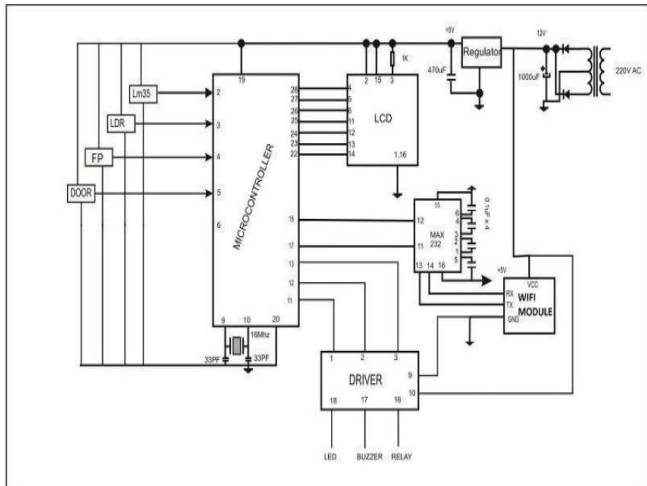


Figure 2 Smart Surveillance system Circuit

Here in this figure 3 shows the work flow or process of the system, the visitor enters the house and scans the fingerprint. If the matching is successful, then it automatically opens the door else the message is being sent to the user via sms. If an unauthorized person enters into the house then it can be detected through sensors and again the message is transferred to the user. Ultimately the theft is detected.

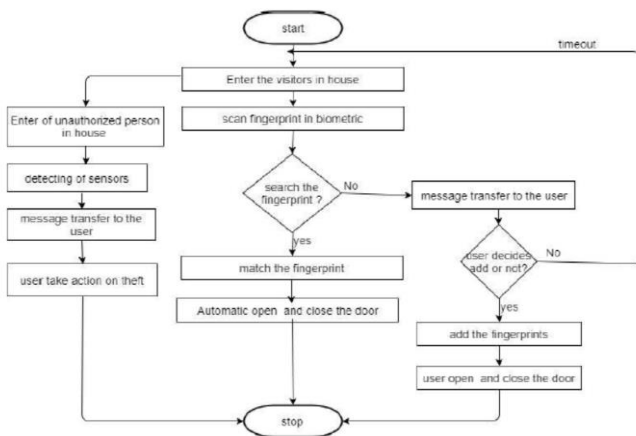


Figure 3 Flowchart of the system

The components required for the system is as follows:

A. Microcontroller PIC16F886

This effective yet simple to-program (just 35 single word guidelines) CMOS Streak based 8-bit microcontroller packs Microchip's effective PIC® architecture into a 28 pin bundle. The PIC16F886 highlights 256 bytes of EEPROM information memory, self-programming, an ICD, 2 Comparators, 11 channels of 10-bit Analog-to-Digital (A/D) converter, 1 catch/think about/PWM and 1 Enhanced catch/analyze/PWM capacities, a synchronous serial port

that can be designed as either 3-wire Serial Peripheral Interface (SPI™) or the 2-wire Inter-Integrated Circuit (I²C™) transport and an Enhanced Universal Offbeat Receiver Transmitter (EUSART). These highlights make it perfect for further developed level A/D applications in car, mechanical, apparatuses or buyer applications.

B. LCD DISPLAY 16*2

A 16x2 LCD implies it can show 16 characters for every line and there are 2 such lines. In this LCD each character is shown in 5x7 pixel network. This LCD has two registers, to be specific, Command and Data. The order enroll stores the summon directions given to the LCD. An order is a direction given to LCD to complete a predefined assignment like introducing it, clearing its screen, setting the cursor position, controlling showcase and so forth. The information enlist stores the information (ASCII esteem) to be shown on the LCD.

C. WI-FI MODULE

Incredible item for IOT apprentice or understudy. Wi-Fi coordinate (P2P), soft-AP. Incorporated TCP or IP convention stacks. Shut down spillage current of <10uA. +19.5dBm yield control in 802.11b mode.

D. Raspberry PI 3

1.2GHz 64-bit quad-center ARMv8 CPU, 1 GB RAM.802.11n remote LAN, 10/100Mbps LAN speed. Bluetooth 4.1, Bluetooth low energy.4 USB ports, 40 GPIO pins, full HDMI port, joined 3.5mm sound jack and composite video. Camera interface (CSI), Show interface (DSI), Micro SD card space (now push-pull as opposed to push-push), Video Center IV 3D designs center.

E. Motion Sensor

A movement sensor (or movement locator) is the linchpin of your security system, on the grounds that it's the fundamental gadget that recognizes when somebody is in your home when they shouldn't be. A movement sensor utilizes one or numerous advances to recognize development in a region. Alarm you if your high schooler breaks check in time. Trigger a doorbell when somebody approaches the front entryway. Alarm you when kids enter limited zones in the home, as the storm cellar, exercise room, or pharmaceutical bureau. Spare vitality by utilizing movement sensor lighting in unoccupied spaces.

V. CONCLUSIONS

IOT based Smart Surveillance System improves the way of life of individuals with wellbeing and security in the cutting edge world. The plan and execution of the modules can possibly create and extent of this specific system in future Endeavor. IOT has been step by step acquiring an ocean of mechanical changes our day by day lives, which thus serves

to making our life less difficult and more agreeable, however different innovations and applications.

Chipping away at IOT is entrepreneurial and testing to deal with it. Considering the cutting edge approach of home automation system it can be additionally created with access through Video spilling, key less passage. What's more, the information would be put away in the cloud with all security includes set up.

REFERENCES

- [1] Ching-Lung Chang and Han-Yu Tsai, "The design of automatic Door and control System for Home Secure Applications," IEEE International Conference. Innovative Mobile and Internet Services in Ubiquitous Computing, Vol. 5, pp. 1-5.
- [2] A.J. Bernheim Brush, B. Lee, "Home automation in the Wild: Challenges and Opportunities," in CHI '11 Proceedings of the SIGCHI Conference on Human Factors in Computing Systems, pp. 2115-2124, 2011.
- [3] M. J Keertikumar, M. Shubham, R.M. Banakar, "Evolution of IoT in Smart Vehicles: An Overview", IEEE Computer Society, pp. 804-809.
- [4] Takayuki Suyama, Yasue Kishino, Futoshi Naya, "Abstracting IoT devices using virtual machine for wireless sensor nodes" in Internet of Things (WF-IoT) 2014 IEEE World Forum, Seoul:, pp. 367-368, 2014.
- [5] Seung-Chul Son, Nak-Woo Kim, Byung-Tak Lee, Chae Ho Cho, Jo Woon Chong, "A Time Synchronization Technique for CoAP-based Home Automation Systems", IEEE Transactions on Consumer Electronics, vol. 62, no. 1, pp. 10-16, February 2016.
- [6] Vamsikrishna Patchava, Sonti Dinesh Kumar, Shaik Riyaz Hussain, K. Rama Naidu, "Raspberry PI controlled SMS-Update-Notification (Sun) system", Proceeding of IEEE International Conference on Electrical Computer and Communication Technologies (ICECCT 2015), pp. 1-4, March 2015.
- [7] J.S. Artal, J. Caraballo, R. Dufo, "DTMF technology applied to the identification and control of a small mobile robot", 2014 XI Tecnologias Aplicadas a la Ensenanza de la Electronica (Technologies Applied to Electronics Teaching) (TAEE) Bilbao, pp. 1-6, June 2014.
- [8] D. S. Tudose, A. Voinescu, M.-T. Petrareanu, A. Bucur, D. Loghin, A. Bostan, N. Tapus, "Home automation design using 6LoWPAN wireless sensor networks", 2011 International Conference on Distributed Computing in Sensor Systems and Workshops (DCOSS), pp. 1-6, 2011.
- [9] X. Zhao, "The strategy of smart home control system design based on wireless network", Computer Engineering and Technology (IC CET) 2010 2nd International Conference on, vol. 4, pp. 34-37, 2010.
- [10] M. N. N. A. Asghar, M.H., "Principle application and vision in internet of things (iot)", Communication Technologies (GCCT) 2015 Global Conference on, may 2015.
- [11] J. Padhye, V. Firoiu, and D. Towsley, "A stochastic model of TCP Reno congestion avoidance and control," Univ. of Massachusetts, Amherst, MA, CMPSCI Tech. Rep. 99-02, 1999.
- [12] Wireless LAN Medium Access Control (MAC) and Physical Layer (PHY) Specification, IEEE Std. 802.11, 1997.