

Cordial labelings in the context of triplication

S. Gurupriya¹, S.Bala²

¹B.E(Final year), Department of Computer Science

Sri Sairam Engineering College, West Tambaram, Chennai, Tamilnadu, India

²Assistant professor, Department of Mathematics

S.I.V.E.T.College, Gowrivakkam, Chennai, Tamilnadu, India

Abstract - In this paper, we introduce the extended triplicate graph of a ladder and investigate the existence of cordial labeling, total cordial labeling, product cordial labeling, total product cordial labeling and prime cordial labeling for the extended triplicate graph of a ladder graph by presenting algorithms.

Key Words: Ladder graph, Triplicate graph, Graph labelings.

1.INTRODUCTION

Graph theory has various applications in the field of computer programming and networking, marketing and communications, business administration and so on. Some major research topics in graph theory are Graph coloring, Spanning trees, Planar graphs, Networks and Graph labeling. Graph labeling has been observed and identified for its usage towards communication networks. That is, the concept of graph labeling can be applied to network security, network addressing, channel assignment process and social networks [3].

In 1967, Rosa introduced the concept of graph labeling [4]. A graph labeling is an assignment of integers to the vertices or edges or both subject to certain condition(s). If the domain of mapping is the set of vertices (edges) then the labeling is called a vertex(an edge) labeling.

In 1987, Cahit introduced the notion of cordial labeling [2]. A graph G is said to admit a cordial labeling if there exists a function $f: V \rightarrow \{0, 1\}$ such that the induced function $f^*: E \rightarrow \{0, 1\}$ defined as $f^*(v_i v_j) = |f(v_i) - f(v_j)|$ or $(f(v_i) + f(v_j)) \pmod{2}$ satisfies the property that the number of vertices labeled '0' and the number of vertices labeled '1' differ by atmost one and the number of edges labeled '0' and the number of edges labeled '1' differ by atmost one. A graph G is said to admit a total cordial labeling if there exists a function $f: V \rightarrow \{0, 1\}$ such that the induced function $f^*: E \rightarrow \{0, 1\}$ defined as $f^*(v_i v_j) = |f(v_i) - (f(v_j) + 1)|$ or $(f(v_i) + f(v_j)) \pmod{2}$ satisfies the property that the number of vertices and edges labeled with '0' and the number of vertices and edges labeled with '1' differ by atmost one.

In 2004, Sundaram, Ponraj and Somasundaram have introduced the concept of product cordial labeling [5,6]. A graph G is said to admit product cordial labeling if there

exists a function $f: V \rightarrow \{0, 1\}$ such that the induced function $f^*: E \rightarrow \{0, 1\}$ defined as $f^*(v_i v_j) = \{f(v_i) \times f(v_j) \mid v_i v_j \in E\}$ satisfies the property that the number of vertices labeled '0' and the number of vertices labeled '1' differ by atmost 1 and number of edges labeled '0' and the number of edges labeled '1' differ by atmost 1. A graph that admits product cordial labeling is called product cordial graph.

A graph is called **total product cordial** graph if there exists a function $f: V \rightarrow \{0, 1\}$ such that the induced function $f^*: E \rightarrow \{0, 1\}$ defined as $f^*(v_i v_j) = \{f(v_i) \times f(v_j) \mid v_i v_j \in E\}$ satisfies the property that the number of 0's on the vertices and edges taken together differ by atmost one with the number of 1's on the vertices and edges taken together.

In 2011, Bala and Thirusangu introduced the concept of the extended triplicate graph of a path P_n ((ETG(P_n))) and proved many results on this newly defined concept [1]. Let $V = \{v_1, v_2, \dots, v_{n+1}\}$ and $E = \{e_1, e_2, \dots, e_n\}$ be the vertex and Edge set of a path P_n . For every $v_i \in V$, construct an ordered triple $\{v_i, v_i', v_i''\}$ where $1 \leq i \leq n+1$ and for every edge $v_i v_j \in E$, construct four edges $v_i v_j', v_j' v_i'', v_j v_i'$ and $v_i' v_j''$ where $j = i + 1$, then the graph with this vertex set and edge set is called a Triplicate Graph of a path P_n . It is denoted by $TG(P_n)$. Clearly the Triplicate graph $TG(P_n)$ is disconnected. Let $V_1 = \{v_1, v_2, \dots, v_{3n+1}\}$ and $E_1 = \{e_1, e_2, \dots, e_{4n}\}$ be the vertex and edge set of $TG(P_n)$. If n is odd, include a new edge (v_{n+1}, v_1) and if n is even, include a new edge (v_n, v_1) in the edge set of $TG(P_n)$. This graph is called the Extended Triplicate of the path P_n and it is denoted by $ETG(P_n)$.

In 2014, Thirusangu et.al proved some results on Duplicate Graph of Ladder Graph [7].

A ladder graph L_n is a planar undirected graph with $2n$ vertices and $3n - 2$ edges. It is obtained as the cartesian product of two path graphs, one of which has only one edge: $L_{n,1} = P_n \times P_1$, where n is the number of rungs in the ladder.

Motivated by the study, the present work is aimed to provide label for the extended triplicate graph of a ladder graph and prove the existence of cordial labeling, total cordial labeling, product cordial labeling

and total product cordial labeling for the extended triplicate graph of a ladder graph.

Throughout this work, graph $G = (V, E)$, we mean a simple, finite, connected and undirected graph with p vertices and q edges.

K.Thirusangu and E.Bala (2011) introduced the concept of triplicate graph and proved many results on this newly defined concepts.

Motivated by the study, the present work is aimed to provide label for the extended triplicate graph of a ladder graph and prove the existence of cordial labeling, total cordial labeling, product cordial labeling and total product cordial labeling for the extended triplicate graph of a ladder graph.

Throughout this work, graph $G = (V, E)$, we mean a simple, finite, connected and undirected graph with p vertices and q edges.

2. STRUCTURE OF THE EXTENDED TRIPPLICATE GRAPH OF LADDER

In this section we discuss about the structure of the extended triplicate graph of ladder by presenting algorithm.

Algorithm 2.1:

Input ladder graph L_n
procedure triplicate of graph L_n
 for $i = 1$ to n **do**
 $V \leftarrow \{v_i \cup v'_i \cup v''_i \cup u_i \cup u'_i \cup u''_i\}$
 end for
 for $i = 1$ to $n-1$ **do**
 $E_1 \leftarrow (v_i v'_{i+1}) \cup (v'_i v''_{i+1}) \cup (u_i u'_{i+1}) \cup (u'_i u''_{i+1})$
 end for
 for $i = 2$ to n **do**
 $E_2 \leftarrow (v_i v'_{i-1}) \cup (u_i u'_{i-1}) \cup (u'_i u''_{i-1}) \cup (v'_i v''_{i-1})$
 end for
 for $i=1$ to n **do**
 $E_3 \leftarrow (v_i u'_i) \cup (u_i v'_i) \cup (u'_i v''_i) \cup (v'_i u''_i)$
 end for
 $E \leftarrow E_1 \cup E_2 \cup E_3$
end procedure
output : Triplicate graph of ladder L_n

From the above algorithm 2.1, the triplicate graph of a ladder denoted by $TG(L_n)$ is a disconnected graph with $6n$ vertices and $12n - 8$ edges. To make it as a connected graph, for convenience, we include an edge $v''_n u''_n$ to the edge set E as defined in the above algorithm. Thus the graph so obtained is called an extended triplicate graph of ladder L_n

and is denoted by $ETG(L_n)$. By the construction, it is clear that, the graph $ETG(L_n)$ has $6n$ vertices and $12n - 7$ edges.

Illustration 2.1:

The structure of extended triplicate graph of ladder $ETG(L_4)$ is given in figure 1.

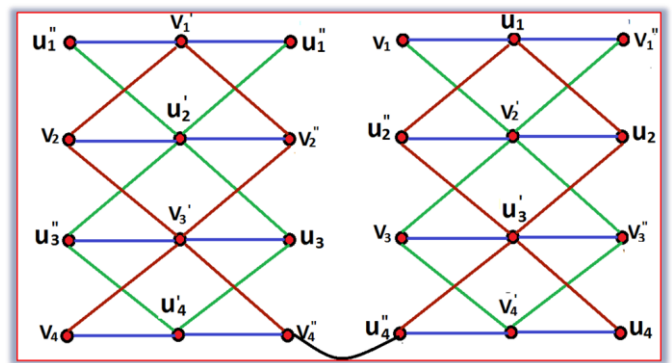


Fig-1 : $ETG(L_4)$

3 CORDIAL AND TOTAL CORDIAL LABELING

In this section, we present an algorithm and prove the existence of cordial and total cordial labeling of the extended triplicate graph of ladder ($ETG(L_n)$).

Algorithm 3.1

procedure (cordial labeling for $ETG(L_n)$)
 for $i = 1$ to n **do**
 $V \leftarrow \{v_i \cup v'_i \cup v''_i \cup u_i \cup u'_i \cup u''_i\}$
 end for
 for $i = 1$ to n **do**
 $u''_i \leftarrow v_i \leftarrow 0$
 $v'_i \leftarrow \begin{cases} 1, & i \equiv 1 \pmod{2} \\ 0, & \text{otherwise} \end{cases}$
 $v''_i \leftarrow u_i \leftarrow 1$
 $u'_i \leftarrow \begin{cases} 0, & i \equiv 1 \pmod{2} \\ 1, & \text{otherwise} \end{cases}$
 end for
end procedure
output labeled vertices of $ETG(L_n)$

Theorem 3.1

The extended triplicate graph of a ladder graph admits cordial labeling.

Proof:

We know that, the extended triplicate graph of a ladder has $6n$ vertices and $12n - 7$ edges. Consider the

arbitrary vertex $v_i \in V$. To label the vertices, using algorithm 3.1, define a map $f: V \rightarrow \{0,1\}$. Clearly the number of vertices labeled with '0' is $3n$ and '1' is $3n$.

Thus the number of vertices labeled with '0' and the number of vertices labeled with '1' differ by at most one.

In order to get the labels for the edges, define the induced map $f^*: E \rightarrow \{0,1\}$ such that for any $v_i v_j \in E$, $f^*(v_i v_j) = (f(v_i) + f(v_j)) \pmod 2$. Thus,

- (i) For $1 \leq i \leq n - 1$, the edges receives the following labels:

$$v_i v'_{i+1} = v'_i v''_{i+1} = u_i u'_{i+1} = u'_i u''_{i+1} = \begin{cases} 0, & i \equiv 1 \pmod 2 \\ 1, & \text{otherwise} \end{cases}$$

- (ii) For $2 \leq i \leq n$, the edges receives the labels as follows:

$$v'_i v''_{i-1} = v_i v'_{i-1} = u_i u'_{i-1} = u'_i u''_{i-1} = \begin{cases} 0, & i \equiv 1 \pmod 2 \\ 1, & \text{otherwise} \end{cases}$$

- (iii) For $1 \leq i \leq n$, the edges receives the labels as follows:

$$v_i u'_i = u_i v'_i = \begin{cases} 0, & i \equiv 1 \pmod 2 \\ 1, & \text{otherwise} \end{cases}$$

$$u'_i v''_i = v'_i u''_i = \begin{cases} 1, & i \equiv 1 \pmod 2 \\ 0, & \text{otherwise} \end{cases}$$

- (iv) $v''_n u''_n = 1$

Clearly the number of edges labeled with '0' is $6n - 4$ and '1' is $6n - 3$.

Thus, the number of edges labeled with '0' and '1' differ by at most one.

Hence $ETG(L_n)$ admits cordial labeling.

Theorem 3.2

Extended triplicate graph of ladder admits total cordial labeling.

Proof:

By theorem 3.1, using the map f on V and there by the induced map f^* on E , the total number of vertices and edges labeled together with '0' and '1' is $9n-4$ and $9n-3$ respectively.

Thus for all n , the number of zeroes on the vertices and edges taken together differ by at most 1 with the number of one's on vertices and edges taken together.

Hence the extended triplicate graph of ladder admits total cordial labeling.

Illustration 3.1

$ETG(L_4)$ with its cordial labeling is given below in figure 2.

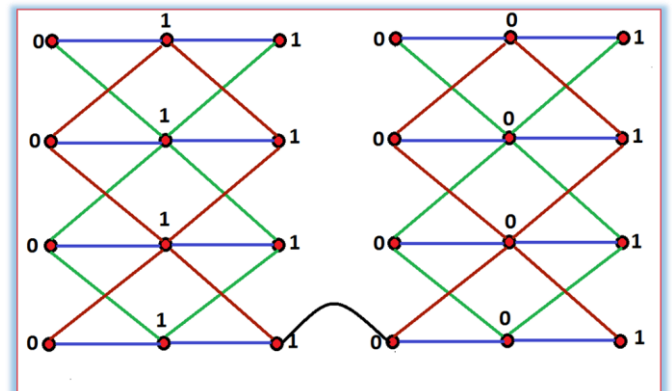


Fig-2: $ETG(L_4)$ and its cordial labeling

4 PRODUCT CORDIAL AND TOTAL PRODUCT CORDIAL LABELING

In this section we present an algorithm and prove the existence of product cordial and total product cordial labelings for the extended triplicate graph of ladder ($ETG(L_n)$).

Algorithm 4.1

procedure (product cordial labeling for $ETG(L_n)$)

for $i = 1$ to n **do**

$$V \leftarrow \{v_i \cup v'_i \cup v''_i \cup u_i \cup u'_i \cup u''_i\}$$

end for

for $i = 1$ to n **do**

$$u''_i \leftarrow u_i \leftarrow v'_i \leftarrow \begin{cases} 1, & i \equiv 1 \pmod 2 \\ 0, & \text{otherwise} \end{cases}$$

$$v''_i \leftarrow v_i \leftarrow u'_i \leftarrow \begin{cases} 0, & i \equiv 1 \pmod 2 \\ 1, & \text{otherwise} \end{cases}$$

end for

end procedure

output labeled vertices of $ETG(L_n)$

Theorem 4.1

The extended triplicate graph of a ladder admits product cordial labeling.

Proof:

The extended triplicate graph of twig has $6n$ vertices and $12n - 7$ edges. Using algorithm 4.1, define the function $f: V \rightarrow \{0,1\}$ to label the vertices. Thus the number of vertices labeled with '0' is $3n$ and '1' is $3n$.

To obtain the edge labels, define the induced function $f^* : E \rightarrow \{0,1\}$ such that for any $v_i v_j \in E$, $f^*(v_i v_j) = (f(v_i) \times f(v_j)) \pmod 2$.

(i) For $1 \leq i \leq n - 1$, the edges receives the following labels:

$$v_i v'_{i+1} = u'_i u''_{i+1} = \begin{cases} 0, & i \equiv 1 \pmod 2 \\ 1, & \text{otherwise} \end{cases}$$

$$u_i u'_{i+1} = v'_i v''_{i+1} = \begin{cases} 1, & i \equiv 1 \pmod 2 \\ 0, & \text{otherwise} \end{cases}$$

(ii) For $2 \leq i \leq n$, the edges receives the labels as follows:

$$v_i v'_{i-1} = u'_i u''_{i-1} = \begin{cases} 0, & i \equiv 1 \pmod 2 \\ 1, & \text{otherwise} \end{cases}$$

$$v'_i v''_{i-1} = u_i u'_{i-1} = \begin{cases} 1, & i \equiv 1 \pmod 2 \\ 0, & \text{otherwise} \end{cases}$$

(iii) For $1 \leq i \leq n$, the edges receives the labels as follows:

$$v_i u'_i = u'_i v''_i = \begin{cases} 0, & i \equiv 1 \pmod 2 \\ 1, & \text{otherwise} \end{cases}$$

$$v'_i u''_i = u_i v'_i = \begin{cases} 1, & i \equiv 1 \pmod 2 \\ 0, & \text{otherwise} \end{cases}$$

(iv) $v''_n u''_n = 0$

Clearly the number of edges labeled with '0' is $6n - 3$ and '1' is $6n - 4$

Thus, for all n , the number of edges labeled with '0' and '1' differ by atmost one.

Hence $ETG(L_n)$ admits product cordial labeling.

Illustration 4.1:

$ETG(L_4)$ with its product cordial labeling is given below in figure 3 .

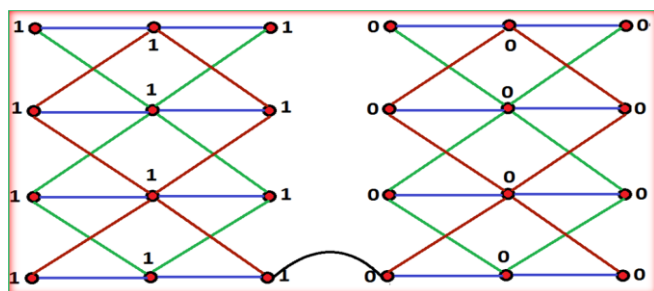


Fig-3: $ETG(L_4)$ and its product cordial labeling

Theorem 4.2

The extended triplicate graph of ladder admits total product cordial labeling.

Proof:

By theorem 4.1, using the map f on V and there by the induced map f^* on E , we have the total number of vertices and edges labeled together with '0' and '1' is $9n-3$ and $9n-4$ respectively.

Thus for all n , the number of zeroes on the vertices and edges taken together differ by atmost 1 with the number of one's on vertices and edges taken together.

Hence the extended triplicate graph of ladder admits total product cordial labeling.

5 CONCLUSION

In this paper, we have introduced and proved the existence of cordial labeling, total cordial labeling, product cordial labeling and total product cordial labeling for the extended triplicate graph of ladder by presenting algorithms.

REFERENCES

- [1]. Bala.E, Thirusangu.K, *Some graph labelings in extended triplicate graph of a path P_n* , International Review of Applied Engineering Research, (IRAER), Vol 1, No.1 (2011), 81-92.
- [2]. Cahit.I, *Cordial graphs; a weaker version of graceful and harmonious graphs*, Ars Combin, 23(1987), 201-207.
- [3]. Gallian.J.A, *A dynamic survey of graph labeling*, The Electronic Journal of Combinatorics 18 (2011), #DS6.
- [4]. Rosa.A, *On certain valuations of the vertices of a graph*, Theory of graphs (Internat.Symposium, Rome, July 1996), Gordon and Breach, N.Y. and Dunod Paris (1967), 349-355.
- [5]. Sundaram.M, Ponraj.R and Somasundaram.S, *Product cordial graphs*, Bull. Pure and Applied Sciences (Mathematics and Statistics), Vol. 23E (2004), 155-163.
- [6]. Sundaram.M, Ponraj.R and Somasundaram.S, *Total product cordial labeling of graphs*, Bull. Pure and Appl. Sci. Sect. E Math. Stat., Vol. 25 (2006), 199-203.
- [7].Thirusangu. K, Ulaganathan.P.P. and Vijayakumar. P, *Some Cordial Labeling of Duplicate Graph of Ladder Graph*, Annals of Pure and Applied Mathematics Vol. 8, No. 2, (2014), 43-50.