

# DESIGN AND SIMULATION OF MINIATURIZED UWB MICROSTRIP PATCH ANTENNA FOR WIRELESS COMMUNICATION

M.Gunavathi<sup>1</sup>, P.Ramya<sup>2</sup>, P.Hamsagayathri<sup>3</sup>,D.Kavitha<sup>4</sup>

<sup>1,3,4</sup>P.G Scholar, Department of Electronics and Communication, Bannari Amman Institute of college, Sathyamangalam, Erode, Tamilnadu

<sup>2</sup>Assistant Professor, Department of Electronics and Communication, Bannari Amman Institute of college, Sathyamangalam, Erode, Tamilnadu.

\*\*\*

**Abstract** - This paper presents to design and analysis of double E-shaped microstrip patch antenna with UWB operating frequency range for wireless applications. In order to make the proposed double E-shape microstrip patch antenna by introducing the slots on both sides of the patch. This shape will provide UWB applications like WI-FI, WLAN, WIMAX, and satellite applications. The proposed antenna shape was simulated by using ADS software and it can analysed by using various terms and parameter of the antenna like bandwidth, return loss, gain, and radiation pattern. The proposed antenna can resonates at different level of frequency in the range of 3.0GHz, 4.44GHz, 5.07GHz, 6.22GHz, 6.92GHZ, 7.5GHz, 8.9GHz and 9.69GHz. These resonance frequencies are able to operate in the range of UWB applications. This antenna had the gain of 2.06dbi, 2.92, 3.42dbi, 4.96dbi, 5.23dbi, 5.28dbi, 6.03dbi, and 7.0dbi.

**Key Words:** Double E-shape micro strip patch, UWB, Multi Band, Self Similarity, Directivity, Antenna Dimensions

## 1. INTRODUCTION

The microstrip patch antenna is a good choice for wireless mobile communication because it have several good characteristics like light profile, low wait, low fabrication cost and easy to fabricate. Antenna is a main building in wireless communication, Based on this antenna performance easily to analyse effectiveness of the wireless communication around the world. Antenna is a conductor which carrying the current.it is used to convert the electrical energy to electromagnetic waves and it can transmit over the longer distance. The main impact of the antenna in wireless communication is used to transmit and receive the information via the air.

The transmitting antenna have different ranges like Low frequency range, Mid frequency range, High frequency range, Ultra high frequency, and microwave frequency range.

In the transmitter side a radio transmitter supplies the electric current as electromagnetic waves. In the receiver side the antenna intercepts some of the power of an electromagnetic wave in order to produce a tiny voltage at its terminals, which is amplified by applying to receiver. antenna are essential components for all equipment that is used for radio broadcasting, television, two-way radio, communication receivers, radar, cell phones, and satellite communications as well as wireless microphones, Bluetooth enabled devices, wireless computer networks, and RFID. The antenna design can have different parameters like gain, VSWR, Directivity, Radiated power, efficiency, Return Loss, Impedance. The proposed E-shape microstrip patch antenna are simulated using HFSS software .Which operates in the range between 8.80GHz-13.49GHz.This structure is more suitable for wideband applications[1]the propose double E-shape fractal antenna was simulated by using ie3d software the operating frequency ranges of the designed antenna working in between 5.1 GHz- 9.6GHz with optimum gain and bandwidth .This design is adaptable for C,X and WLAN applications[2].To introduce the fractal structure in normal rectangular patch. It is more suitable for multiband applications. And compare performance of the antenna by using microstrip line feed and coaxial feed line. This antenna can resonate at three bands and which is more suitable for wideband applications. Compare to first iteration the antenna performance can improve in the second iteration method [3].The proposed E-shape fractal antenna is suitable for wide and ultra-frequency bands by using iteration and co-axial feed method.

Multiple electrical dimensions, multiband or wideband, ratio between the adjacent resonant frequencies are proportional to the fractal dimensions, for Multiband applications only single feed is needed. This structure can analysed using different parameters with corresponding resonance frequency [4]. In this paper the authors can investigate and compare the performance of normal patch and fractal

geometry applied patch antenna. The proposed fractal geometry with patch is more suitable for GPS, UMTS, WIMAX applications with suitable bandwidth [5]. The proposed Minkowski curved antenna with second iteration is used to cover the GSM900/1710, GPS1227/1575, LTE and WIMAX 2500 and IEEE 802.11b applications. The proposed E-shape fractal with patch antenna is adapted for LTE, S-band applications, by introducing the fractal geometry the proposed design can achieve the various mobile standards applications [6].

## 2. DESIGN METHODOLOGY OF THE PROPOSED ANTENNA

The main demand of antenna design for wireless communication is small size, low cost, easy to fabricate. The proposed antenna widely satisfies the requirements of the wireless services. This structure can be analysed using ADS software. The antenna performance can be analysed for different parameters with corresponding resonance frequency.

### 2.1 Rectangular Microstrip Patch Antenna

To design the proposed E-shape antenna can be made by using the rectangular patch. Initially the rectangular patch antenna was created and to introduce the slots with corresponding length and width to make the double E-shape antenna. It is designed by using FR4 substrate material with 1.6 mm with 4.4 dielectric constant value. The length and width of the antenna can be calculated using the mathematical equations.

#### Step 1: Calculation of Width (W) of the Antenna

For an efficient radiator, practical width that leads to good radiation efficiencies is calculated by Transmission line model equation.

$$f_0 = c / 2\sqrt{\{\epsilon_{eff} [(m/L)^2 + (n/W)^2]\}} \quad (1)$$

#### Step 2: Calculation of effective dielectric co-efficient ( $\epsilon_{reff}$ )

The effective dielectric constant is obtained by referring to equation (2)

$$\epsilon_{reff} = (\epsilon_r + 1) / 2 + (\epsilon_r - 1) / 2 [1 + 12W/h]^{-1/2} \quad (2)$$

#### Step 3: Calculation of effective length ( $L_{reff}$ )

The effective length can be obtained by using mathematical equation (3)

$$L_{EFF} = L + 2\Delta L \quad (3)$$

#### Step 4: Calculation of Length Extension ( $\Delta L$ )

The length extension can be calculated by using equation (4)

$$\Delta L = 0.412h (\epsilon_{reff} + 0.3) [W/h + 0.264] / (\epsilon_{reff} - 0.258) [W/h + 0.8] \quad (4)$$

#### Step 5: Calculation of Actual length (L)

The actual length can be obtained by using the equation (5)

$$L = L_{eff} - 2\Delta L \quad (5)$$

#### Step 6: Calculation of Ground Dimensions ( $L_g, W_g$ )

The transmission line model applies infinite ground plane only. However, for practical consideration, it is essential to have a finite ground plane, it has been shown that finite and infinite ground planes can be obtained. For this design the ground plane dimensions are given as:

$$L_g = 6h + L \quad (3.6) \quad (6)$$

$$W_g = 6h + W \quad (7)$$

### 2.2 Geometry Of The E-Shape Patch Design

The double E-shape patch design can be made by introducing a slot on the rectangular patch antenna with corresponding length and width. The proposed antenna geometry can be seen in Figure 1. Based on this design parameter, the antenna can satisfy the applications.

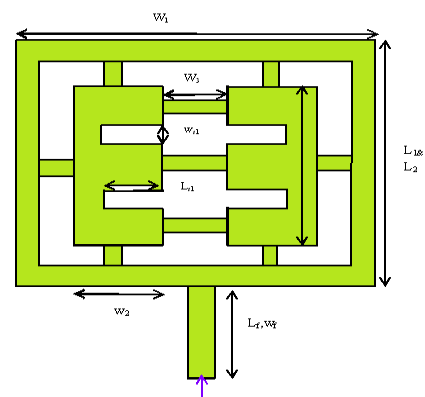


Figure-1: Double E-shape patch design

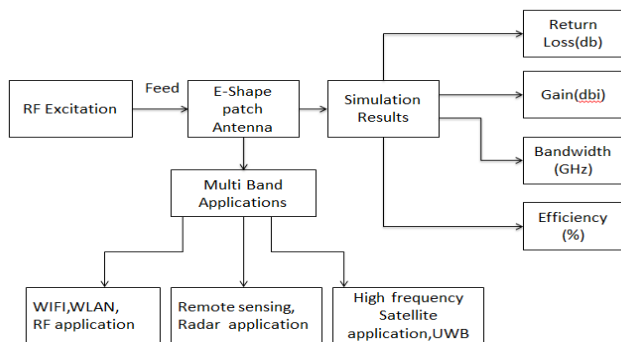
### 2.3 Antenna Specifications

Parameter		Dimensions(mm)
Rectangular patch	Length( $L_1$ )	10
	Width( $w_1$ )	15
Double E-shape patch	length ( $L_2$ )	12.8
	Width( $W_2$ )	20
Feed line	length( $L_f$ )	2
	width( $W_f$ )	3.8
slot	Length( $L_{s1}$ & $L_{s2}$ )	7.4,8.4
	Width( $W_{s1,2,3,4}$ )	1.0
Substrate thickness(FR4)		1.6

**Table-1:** Parameters of the proposed antenna

### 2.4 System Architecture

The system architecture of proposed double E-Shape patch antenna are shown in figure 2.



**Figure-2:** System Architecture of Double E-shape patch design

Which indicates the proposed antenna applications based on the antenna parameter measurements like Return Loss (db), Gain(dbi), Bandwidth(GHz),Efficiency(%).

### 2.5 Feeding Techniques

The antenna performance is mainly depends on the feeding methods and its position. Based on this feeding

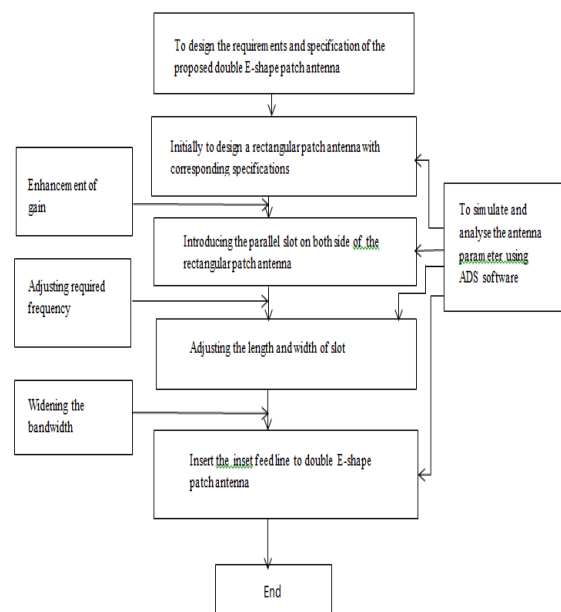
position we can easily to achieve the required applications. Antenna can feed by using various methods. These methods can be classified into two types-conducting and non-conducting. In this conducting method the RF power is inset directly to the radiating patch via connecting elements like microstrip line. In non-conducting method the electromagnetic field coupling is done to transfer the power between the microstrip line and the radiating patch.

The popular feeding methods are microstrip linefeed, coaxial probe(both conducting and non-conducting), aperture coupling, inset feed, and proximity feeding(both conducting and non-conducting).In this paper to simulate and analyse the proposed antenna parameter by using microstrip line feed method.

The main purpose of the Microstrip line feed cut in the patch is to match the impedance between the feed line and patch without the need for any additional matching element. This is accomplished by properly controlling the inset position. The main advantage this feed method is to ease to fabrication, simple to modelling and good impedance matching. The bandwidth range of this feeding technique in between 2-5%

### 3. SIMULATION SETUP

The simulation setup includes the designing requirements and steps of the proposed antenna implementations. Initially the rectangular patch antenna was designed with respect length and width.



**Figure-3:** Flow diagram of proposed antenna design

Then this patch can simulate by using ADS software to enhance the gain by introducing slot on both side of the patch. Again simulate and analyse the optimized parameter. After the simulation to adjust the length and width for adjusting the required frequency range. By using inset feed method easily to achieve the wide bandwidth. It is verified through ADS simulation via optimized parameters of the antenna. The flow diagram is shown in figure 3.

#### 4. SIMULATED RESULTS AND DISCUSSION

To analyse and evaluate the antenna performance via the optimized parameters using ADS software. The simulated antenna results are return loss, radiation pattern, current distribution, gain, directivity, and efficiency.

##### 4.1 RETURN LOSS

Return loss is the important parameter for to analyse the antenna performance in wireless environment. Because it is used to analyse effective power delivery of the designed antenna.

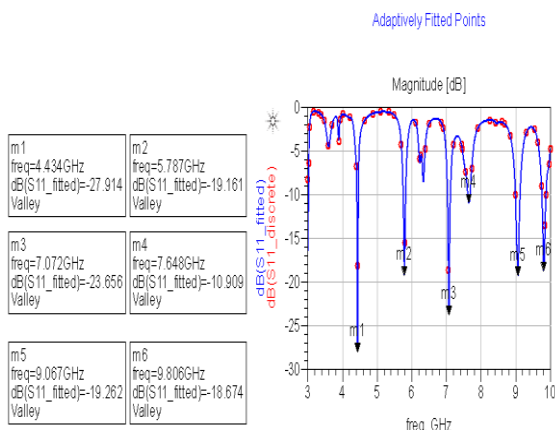


Figure-4: Return loss of the double E-shape patch antenna

From this result the peoples can easily understand the performance and the designed antenna is suitable for our required services. From this observation there are six resonance frequency are observed. At 4.434 GHz range the return loss value is -27.914dbi, At 5.787GHz the value of the return loss is -19.161dbi, At 7.072GHz the value of the return loss is -23.656dbi, At the resonance frequency range 7.648GHz the return loss value is -10.909dbi, At 9.0 GHz the return loss value is -19.26dbi, and the return loss value is -18.674 achieved at the resonance of 9.806GHz. From this loss the proposed antenna is suitable for UWB applications. Because the UWB frequency range occurs between 3.1GHz-10GHz.

#### 4.2 ANTENNA PARAMETERS

The antenna parameters includes radiated power in watts, effective angle(steradian), Directivity(dbi),Gain(dbi), Maximum intensity(watts/steradian), angle of intensity maximum with respect to theta and phi values. The proposed antenna is resonates at different level of frequency with good return loss and power delivery ratio. Initially the radiated power in the range of 0.00041dbi, the gain value is 2.06dbi, the range of directivity isn8.64 dbi, maximum intensity is 0.00024(w/sr) at the resonance of 4.434 GHz with -27.9dbi return loss with 84.60% efficiency .The radiated power in the range of 0.00084dbi, the gain value is 3.42dbi, the range of directivity is 9.55 dbi, maximum intensity is 0.00060(w/sr) at the resonance of 5.787 GHzwith -19.16dbi return loss with 92.05% efficiency .The radiated power in the range of 0.00048dbi, the gain value is 4.96 dbi, the range of directivity is 11.182dbi,maximum intensity is 0.00050(w/sr) at the resonance of 7.072 GHz with -23.65dbi return loss with 88.54% efficiency .The radiated power in the range of 0.00048dbi, the gain value is 5.28 dbi, the range of directivity is 9.55 dbi, maximum intensity is 0.00060(w/sr) at the resonance of 7.648 GHz with -10.90dbi return loss with 94.27% efficiency .

The radiated power in the range of 0.00086dbi, the gain value is 5.23 dbi, the range of directivity is 9.76 dbi, maximum intensity is 0.00086(w/sr) at the resonance of 9.067 GHz with -19.26dbi return loss with 85.81% efficiency . The radiated power in the range of 0.00077dbi, the gain value is 6.032 dbi, the range of directivity is 11.09 dbi, maximum intensity is 0.00077(w/sr) at the resonance of 9.80 GHz with -18.67 dbi return loss .

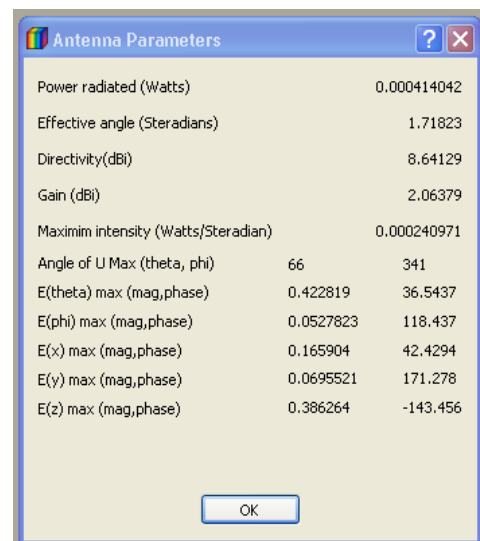


Figure- 5a:At 4.4 GHz

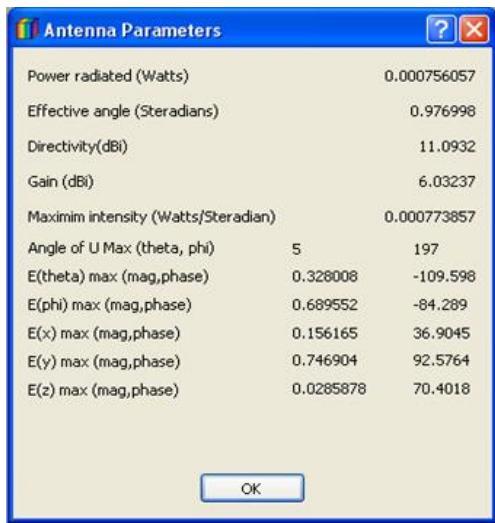


Figure-5b: At 9.80GHz

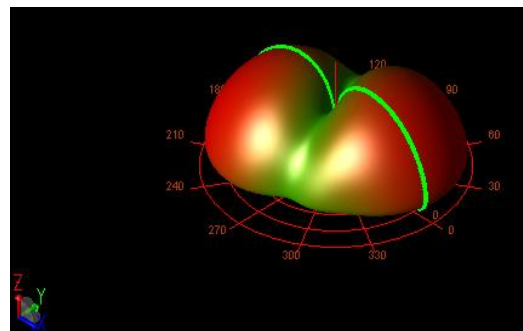


Figure -6b: At 9.80GHz

Figure-5:Antenna Parameter of the Double E-shape patch for resonance frequency 4.4 GHz and 9.80 GHz

#### 4.3 RADIATION PATTERN

The radiation pattern defines the variation of the power radiated by an antenna as a function of the direction away from the antenna. The radiation pattern of the proposed antenna is shown in figure 6.

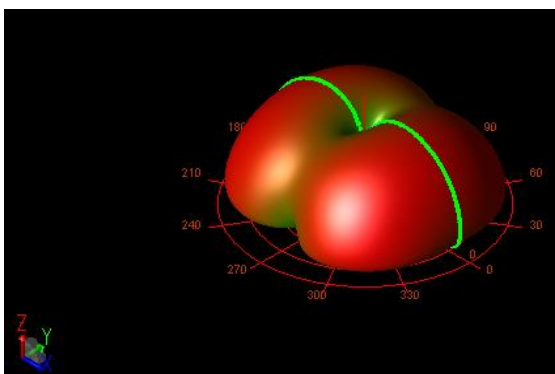


Figure -6a: At 4.4 GHz

The radiation pattern of the proposed antenna can analysed with corresponding resonance frequency of an antenna radiation pattern (or) antenna pattern defined as mathematical and graphical representation of radiation properties of the antenna.

Figure-6: Radiation Pattern of the Double E-shape patch for resonance frequency 4.4 GHz and 9.80 GHz.

#### 4.4 CURRENT DIATRIBUTION

The current distribution is the important parameter for analyse antenna performance. The red colour shows the maximum radiation of the antenna. The current distribution of the start (4.4GHz) and (9.80GHz) ending frequency range is seen in figure 7.

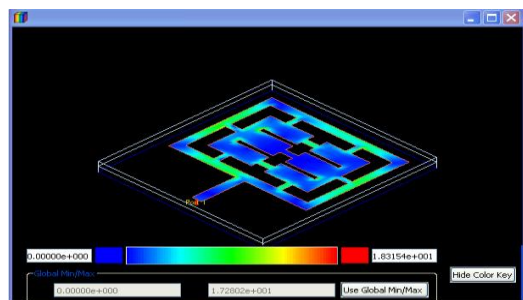


Figure -7a: At 4.4GHz

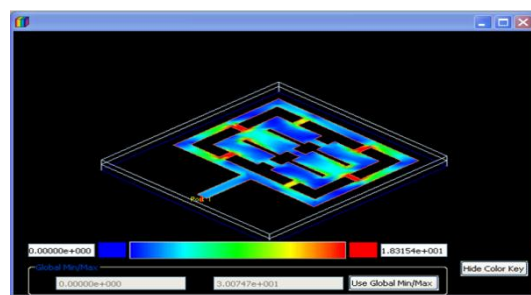


Figure- 7b: At 9.80GHz

Figure-7: Current Distribution of the Double E-shape patch for resonance frequency 4.4 GHz and 9.80 GHz.

**4.5 RADIATION CHARACTERISTICS OF THE DOUBLE E-SHAPE ANTENNA**

Frequency (GHz)	4.43	5.78	7.07	7.648	9.06	9.80
Gain (dbi)	2.06	3.42	4.96	5.28	5.23	6.032
Directivity (dbi)	8.64	9.55	11.1	9.55	9.76	11.0932
Return loss (dbi)	-27.9	-19.16	-23.6	-10.90	-19.2	-18.67
Power radiated (watts)	0.00041	0.00084	0.00048	0.00084	0.00086	0.0007
Max U(W/Sr)	0.00024	0.00060	0.00050	0.00060	0.00065	0.0007
Efficiency (%)	84.60	92.05	88.54	94.27	85.81	92.45

**Table -2:** Radiation characteristics of the double E-shape patch antenna

**5. CONCLUSION**

The proposed double E-shape patch antenna is design and simulated using ADS Software. From the analysis of the proposed antenna result this structure is very suitable for ultra-wide band applications. The resonance frequency of this structure is 4.4GHz, 5.787 GHz, 7.072 GHz, 7.648 length and width of the patch to achieve high gain, directivity with sufficient efficiency.

**FUTURE WORK**

To Introduce the fractal on the E-shape patch for enhancement the gain and bandwidth, and compare the fractal with double E-shape patch antenna parameters with different feed line results using ADS software.

**REFERENCES**

- [1] InduBalaPauria, Sachin Kumar, Sandhya Sharma, "Design and Simulation of E-shape microstrip Patch Antenna for Wideband Applications," *International Journal of Soft Computing and Engineering (IJSCE)*, ISSN: 2231-2307, Volume-2, Issue-3, July 2012.
- [2] VijetaAttri, Vishal Dora, and Rajesh Goel. "Double E-Shaped Multiband Fractal Microstrip Patch Antenna for wireless Applications," *International Journal of Application or Innovation in Engineering Management (IJAEM)*, Volume 3, Issue 6, June 2014.
- [3] Arun, Ankita Mittal, "Multiband Fractal Microstrip Patch for Wireless Applications," *International Journal of Advanced Research in Electronics and Communication Engineering (IJARECE)*, Volume 3, Issue 9, September 2014 963 ISSN:2278-909X.
- [4] Sukhveer Singh, SavinaBansal, and Suhjinder Singh, "Design and Analysis of E-shape Sierpinski Fractal Antenna," *International Journal of Advanced Research in Electronics and Communication Engineering (IJARECE)*, Volume 4, Issue 8, August 2015.
- [5] A.Janani, A.Priya, "Design of E-Shape fractal Simple Multiband Patch Antenna for S-Band LTE and Various Mobile Standards," *International Journal of Engineering And Science*, Volume 3, Issue 1(May 2013), pp 12-19, ISSN(e): 2278-4721, ISSN(p): 2319-6483.
- [6] S.Shubhangi, B.GhorpadeVidya, V.Babare, and U.Deshmukh, "Comparison of E-Shape Microstrip Antenna And E-Shape Fractal Antenna," *International Journal of Engineering Research and Technology(IJERT)*, Volume 2, Issue 4, April-2013, ISSN: 2278-0181.
- [7] NimaBayatmaku, ParisalLotfi, Mohammadnaghi Azarmanesh, and Sabersoltani, "Design of Simple Multiband Patch Antenna for Mobile Communication Applications Using New E-Shape Fractal," *IEEE Antennas and Wireless Propagation Letters*, Vol.10, 2011.
- [8] A.Nagpal, S.Singh, and A.Mrwaha, "Multiband E-Shaped Fractal Microstrip Patch Antenna with DGS for Wireless Applications," *IEEE International Conference on Computational Intelligence and Communication Networks*, Mathura, India, PP22-26.
- [9] Khidre, Lee, Elsherbeni, and Fan Yang, 2013, "Wide Band Dual Beam U-Slot Microstrip Antenna," *IEEE Transactions And Propagation*, Vol 61, No.3, Pp 1415-1418.
- [10] Gupta, Singh, and MARwaha, "Dual Band U-Slotted Microstrip Patch Antenna for C band and X band Radar," *Proceeding of 5<sup>th</sup> IEEE International Conference on Computational Intelligence and Communication Networks*, India, pp41-45.