

Android Based College Notification System

Jadhav Komal, Sayyad Sana, Shinde Swapnali and Bhaldar Jasmin

Prof. Mahind R. N.

Dept. of Computer Science & Engineering, DACOE Karad, Maharashtra, India

Abstract: Our aim to replace the traditional notice board with E-notice board. Now no need to maintain numbers of account for sharing information, exchange of notes and all college related news, now it will be accessible anywhere anytime just on a single click on your android device. Just install "E-Notice Board App" on your android device and you can access all notices of your college. We have developing for staff add notes, experiments dates, submission and for students upload and download tutorials, experiments, question paper and notes in an easy and efficient manner. This project includes major activity entities: add notices, add staff record, and add student record which is handled by Admin. The Admin can add, delete, and update them simultaneously on the online system. These can then be viewed by the students.

Key words: E-Notice Board, Android device, Online System, Admin, Traditional notice board, Activity.

1. INTRODUCTION

Cellular text messaging services are become more popular now a day's. Whether to co-ordinate meetings, office reminders, and event, this type of communication is now offered by cellular networks. The voice based services are unavailable, SMS, messages are successfully received because the control channels are responsible for their delivery. Now a day's colleges are using Traditional Paper based Notice Board so here we are thinking more advanced system of Android Based Application. The users can get the notices through E-Notice Board from anywhere in the college campus [1]. This paper implement E-Notice Board program which can run on any computer system either by local area network or wired or wireless network [2]. Notice board are mostly used in school to large organization to convey the message [3]. Traditional notice board required lots of paper work and also wastage of papers [3].

1.1 NEED

The need of our project College Notification System:

- The necessity of developing this software was to eliminate the manual pen and paper work.
- This software is good and meaningful application for students and administrator as well.

1.2 SCOPE

- This system is useful for accessing notice on android device.
- It informs students about the activities and various events related to their college.
- Student does not meet to visit the notice board every time.
- This system is also used in hospital and banking sector.

2. EXISTING NOTICE BOARD

2.1 Disadvantages of Existing System

- Difficulty in report generation.
- Lots of paper work and also wastage of papers [3].
- Time consuming.
- Student cannot get notices on time.
- Ones the notice displayed then difficult to update it.



Fig -1: Traditional Notice Board

3. PROPOSED NOTICE BOARD

3.1 Advantages of Proposed System

- Time saving.
- Reduce paper work [3].
- Student, Staff is getting the notices on time.

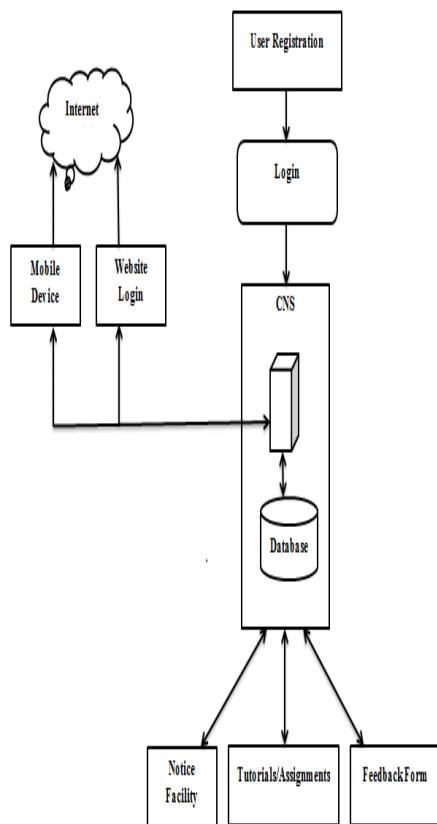


Fig -2: Proposed System Architecture for E-Notice Board

4. IMPLEMENTATION

We implement E-Notice Board program which can run on any computer system either by local area network or wired or wireless network [1]. We develop android app beneficial to user for accessing the all college related updates.

There are following steps of E-Notice Board [1]:

Step 1: Admin can login by entering his user_id and password.

Step 2: Admin can add, delete, edit and update information about students and staff.

Step 3: User registration such as staff, it require staff name, staff role, department, mobile no, email_id, address, username and password.

For student registration, student prn_no, name, city, gender, email_id, roll no, academic year and SEM are required.

Step 4: After the registration the mail will be sent to the user with his user_id and password.

Step 5: Notice will be sent by the admin after that user can immediately get that notices through the E-Notice App.

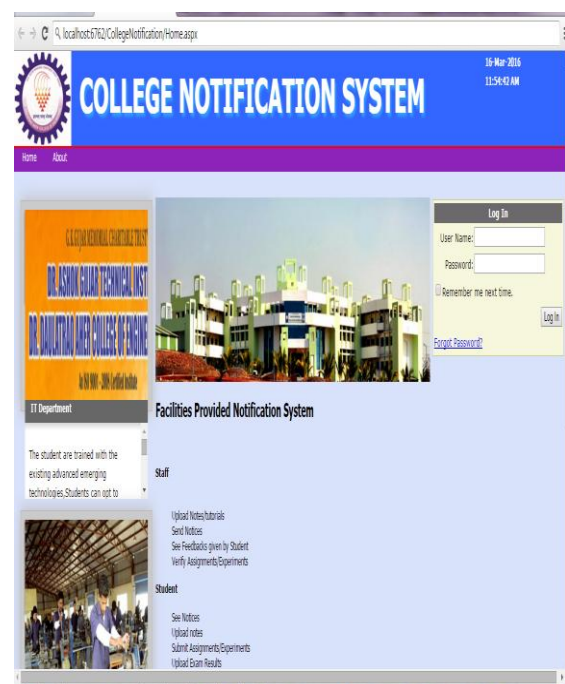


Fig -3: Sample Screen of CNS

5. MODULES

- Admin Account Signup: Admin can login on this page and after that he can register staff and student data [2].
- Staff Account Signup: Staff can login on this page and after that staff can add notes, take submission, give experiments dates and change password [2].
- Student Account Signup: Student can login on this page and after that student can upload submission, download notes, and change password [2].
- Admin Edit/Delete: Admin can edit or delete the records of staff and students [2].
- Staff Edit/Delete: Staff can edit or delete the staff subject entry [2].
- Update Admin Notice: Admin can login on this page and after that adds the notice and send to the students, staff or other faculty members [2].
- Security: Admin can only authority to activate the application on students mobile so student cannot share the application within among them

6. CONCLUSION

We have developing Android based College Notification system to provide college related notices directly on your android device, In this way Staff meeting related notices and student get experiment, tutorial online. In this project in next modules we can implement following idea: To eliminate or reduce the human interaction so as to avoid mistakes in the database. It is now implement notification system for students as well as teachers. Student can get notice on its own android device and teacher can get their meetings and extra additional notices from HOD to Principal on its android device.

ACKNOWLEDGEMENT

It is our privilege to acknowledge with deep sense of gratitude to our project guide Prof. Mahind R.N. and our H.O.D Prof. Birnale M. A. whose supervision, inspiration and valuable discussion has helped us tremendously to complete our project. Their guidance proved to be the most valuable to overcome all the hurdles in the fulfillment of this mega project on "Android Based College Notification System". We are grateful to Principal Dr. Jalindar R. Patil for direct or indirect help in the

completion of this project. Last but not least, this acknowledgement would be incomplete without

rendering my sincere gratitude to all those who have helped us in the completion of this project.

REFERENCES

- [1] International Journal of Science, Engineering and Technology Research (IJSETR), Volume 3, Issue 6, June 2014
- [2] International Journal of Computer Sciences and Engineering(IJCSE), Vol.-2(3), pp(134-138) March 2014, E-ISSN: 2347-2693
- [3] International Journal of Electrical, Electronics and Data Communication, ISSN: 2320-2084 Volume-1, Issue-10, Dec-2013