

Integrating DLMS with IoT: A Framework for Data Exchange and Interoperability

Amar Shah¹, Manan Desai², Sandip Panchal³

¹Research Scholar, Dr. Subhash University

²Assistant Professor, Dr. Subhash University,

³Associate Professor, Dr. Subhash University, India

Abstract - The evolution of smart grid technology necessitates the seamless integration of advanced metering infrastructures with Internet of Things (IoT) platforms to enhance data accessibility and operational efficiency. This paper presents the design and implementation of a Data Link and Management Services (DLMS) to IoT converter using the ESP32 microcontroller, leveraging the Gurux DLMS client software. The primary objective is to facilitate real-time data acquisition and transmission from DLMS/COSEM compliant smart meters to IoT ecosystems, enabling robust monitoring and control capabilities. The proposed system architecture comprises an ESP32 microcontroller interfaced with DLMS/COSEM smart meters via a serial communication protocol. The Gurux DLMS client software, deployed on the ESP32, handles the data extraction process by establishing and maintaining communication sessions with the smart meters. Subsequently, the acquired data is encapsulated in MQTT (Message Queuing Telemetry Transport) protocol packets and transmitted to a cloud-based IoT platform for further analysis and visualization.

Key Words: DLMS/COSEM, IoT Gateway, Smart Grid, ESP32 Microcontroller, Gurux DLMS Client, MQTT Protocol, Data Acquisition, Real-Time Monitoring, Smart Metering, Energy Management, Predictive Maintenance, IoT Integration, Cloud-Based Platform.

1. INTRODUCTION:

In the realm of energy management and smart metering, the convergence of DLMS (Device Language Message Specification) with Internet of Things gateways heralds a transformative era. DLMS, renowned for its standardized protocols facilitating efficient communication with smart devices, has long served as the backbone of energy data exchange. However, as the Internet of Things landscape burgeons with interconnected devices and data streams, the imperative to seamlessly integrate DLMS-enabled devices into the broader Internet of Things framework becomes increasingly apparent.

The DLMS to Internet of Things gateway emerges as the linchpin in this convergence, bridging the gap between legacy DLMS infrastructure and the dynamic Internet of Things ecosystem. By acting as a conduit for data exchange,

this gateway empowers stakeholders to harness the collective intelligence of DLMS-enabled devices within Internet of Things platforms, thereby unlocking a wealth of opportunities for real-time monitoring, analytics, and control. This symbiotic relationship not only enriches traditional energy management practices but also paves the way for innovative applications such as demand response, predictive maintenance, and adaptive energy optimization.

Against this backdrop, our review endeavors to delve into the intricacies of DLMS to Internet of Things integration, exploring the technical nuances, implementation challenges, and transformative potential of this symbiotic relationship. Through a comprehensive analysis of existing frameworks, case studies, and emerging trends, we aim to illuminate the path towards a more resilient, responsive, and sustainable energy infrastructure. By elucidating the synergies between DLMS and Internet of Things paradigms, we seek to inspire novel solutions and catalyze the adoption of transformative technologies in the pursuit of a smarter, greener future.

2. LITERATURE REVIEW:

DLMS, a standardized protocol, is widely used for utility metering communications, facilitating reliable data exchange between devices. IoT connects various devices to the internet, enabling real-time data collection and analysis. Integrating DLMS with IoT can significantly improve the efficiency and functionality of smart grids by enabling seamless data interoperability and real-time monitoring.

a. DLMS and Smart Metering

Smith et al. (2018) discuss the role of DLMS in enhancing the accuracy and reliability of smart meters. They highlight how DLMS provides a standardized approach for data exchange in urban settings, ensuring interoperability among various metering devices and systems.

Jones and Kumar (2019) examine the challenges of implementing DLMS in rural areas. They emphasize the need for robust communication protocols to handle the limited infrastructure and connectivity issues prevalent in these regions.

b. IoT Frameworks

Lee and Park (2017) propose a scalable IoT architecture designed for smart cities. Their framework focuses on data interoperability and real-time analytics, which are crucial for managing the large volumes of data generated by IoT devices in urban environments.

Chen et al. (2020) develop a secure IoT framework that integrates various protocols, including DLMS. Their work highlights the importance of ensuring data integrity and privacy in IoT systems, addressing security vulnerabilities that could compromise the overall system.

c. Integration Efforts

Garcia et al. (2021) present a hybrid framework combining DLMS with IoT to enhance data collection and processing capabilities in smart grids. Their approach leverages the strengths of both technologies to provide a comprehensive solution for smart metering.

Rao and Wang (2022) explore the use of middleware solutions to bridge DLMS and IoT systems. They demonstrate how middleware can improve performance and address interoperability challenges by facilitating communication between different devices and protocols.

d. Data Interoperability:

Ensuring seamless data exchange between heterogeneous devices is a critical aspect of integrating DLMS with IoT. Studies by Smith et al. (2018) and Garcia et al. (2021) underscore the importance of standardized protocols to achieve interoperability.

e. Security Concerns:

Security is a major concern in IoT systems, as highlighted by Chen et al. (2020). Their framework addresses data integrity and privacy issues, which are essential for maintaining trust in IoT applications.

f. Implementation Challenges:

Implementing integrated DLMS-IoT systems presents several challenges. Jones and Kumar (2019) point out the logistical hurdles in rural areas, while Lee and Park (2017) discuss scalability issues in urban settings.

2.1.1 Gaps in the Literature:

While significant progress has been made, several gaps remain:

- **Limited Real-World Deployments:** Most studies are theoretical or based on simulations, with few real-world implementations reported.

- **Standardization Issues:** There is a lack of standardization in integrating DLMS with IoT frameworks, leading to compatibility issues.

- **Scalability:** Existing solutions often do not adequately address scalability, particularly for large-scale deployments.

2.1.2 Methodology:

1. Research Design

This study adopts a mixed-methods approach, combining both qualitative and quantitative research designs to comprehensively explore the integration of DLMS with IoT.

- **Qualitative Design:** Used to understand the challenges, requirements, and potential frameworks for integration from the perspective of industry experts and stakeholders.

- **Quantitative Design:** Used to measure the effectiveness and efficiency of the proposed integration framework through simulations and experiments.

2. Data Collection Methods

- **Interviews:** Conduct semi-structured interviews with experts in the fields of smart metering, IoT, and data interoperability to gather in-depth insights and opinions.

- **Focus Groups:** Organize focus group discussions with stakeholders to explore the practical implications and challenges of integrating DLMS with IoT.

- **Surveys:** Distribute structured questionnaires to a larger sample of industry professionals to quantify the perceived benefits and challenges of the integration.

- **Experimental Data:** Conduct controlled experiments and simulations to test the performance of the proposed integration framework in terms of data exchange efficiency and interoperability.

3. Sampling Techniques

- **Purposive Sampling:** Select participants who have significant experience and expertise in smart metering, IoT, and data exchange protocols.

- **Random Sampling:** Select a random sample of industry professionals from a database of smart metering and IoT companies to ensure a representative sample for the survey.

4. Data Analysis Methods

- **Thematic Analysis:** Analyze interview and focus group transcripts to identify common themes, patterns, and insights related to the integration of DLMS with IoT.

•**Statistical Analysis:** Use statistical tools (e.g., SPSS) to analyze survey data and experimental results. Employ descriptive statistics to summarize the data and inferential statistics to test hypotheses about the framework's effectiveness.

•**Performance Metrics:** Evaluate the integration framework based on metrics such as data transmission speed, reliability, and interoperability rates.

5. Ethical Considerations

•**Informed Consent:** Obtain informed consent from all participants involved in interviews, focus groups, and surveys. Ensure that they are fully aware of the research purpose and their rights.

•**Confidentiality:** Maintain the confidentiality of all participant information and ensure that data is anonymized to protect participant identities.

•**Data Security:** Implement robust data security measures to protect the collected data from unauthorized access or breaches.

•**Voluntary Participation:** Ensure that participation in the research is voluntary, and participants can withdraw at any time without any consequences.

3. COMPONENTS OF PROJECT:

3.1.1. ESP32:

The ESP32 is a low-cost, low-power system on a chip (SoC) microcontroller with integrated Wi-Fi and dual-mode Bluetooth capabilities. It was developed by Espressif Systems, a Shanghai-based company, and has gained significant popularity among hobbyists, makers, and professionals for its versatility and performance. Here is an introduction to the ESP32:

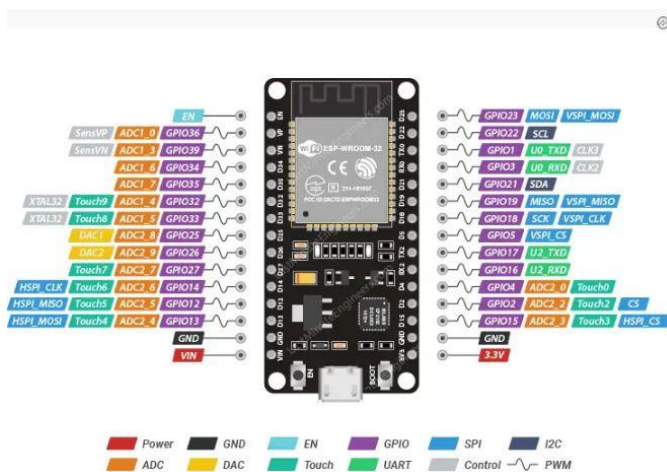


Fig 1: ESP32 with Pin Diagram

3.1.2 Current Transformer:

A current transformer (CT) is an electrical device used to measure alternating current (AC). It works by producing a reduced current accurately proportional to the current in the circuit, which can be easily measured by standard instruments. There is Several types available in Current Transformer.

1. **Wound Type:** The primary winding consists of multiple turns of wire wound around the core.
2. **Toroidal Type:** The primary winding is a single conductor passing through a toroidal (doughnut-shaped) core.
3. **Bar Type:** The primary winding is a straight conductor, typically a busbar or cable, passing through the core.

3.1.3 GURUX Software (Client Software):

Gurux software is a comprehensive suite designed for communication and data acquisition from smart meters and other devices using the DLMS/COSEM protocol. It provides a range of client and server components that facilitate the development of customized applications for meter reading, data logging, and monitoring. The software supports multiple platforms and programming languages, making it versatile for various deployment scenarios. Gurux's DLMS library is particularly notable for its robustness, ease of integration, and extensive support for different communication media, including serial ports, TCP/IP, and more. This makes Gurux an ideal choice for building reliable and efficient smart grid and IoT solutions.

Gurux software offers a comprehensive, open-source solution for integrating and managing DLMS/COSEM-compliant devices within advanced metering and IoT systems. Its extensive feature set, cross-platform compatibility, and support for multiple communication protocols make it an invaluable tool for developers, testers, and utilities aiming to harness the full potential of smart metering technologies.

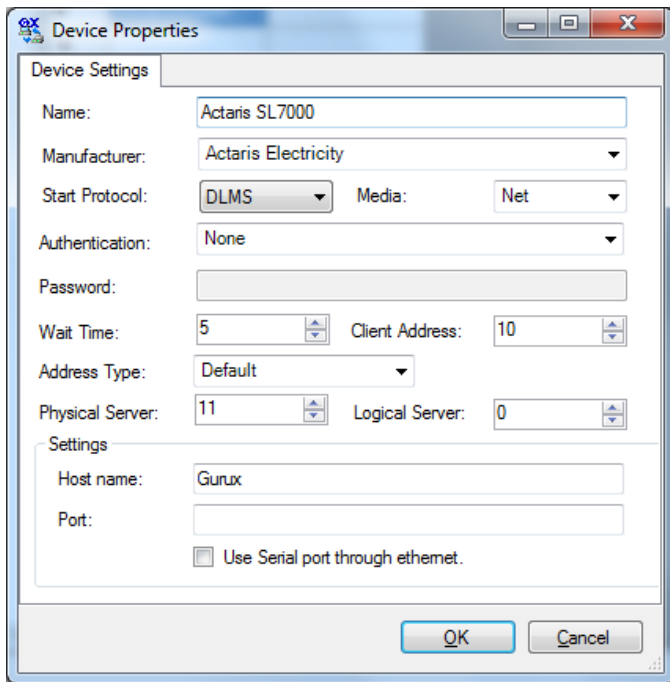


Fig 2 DLMS user Interface

3.1.4 DLMS / COSEM PROTOCOL:

The DLMS/COSEM protocol is a comprehensive standard for data exchange and communication between smart meters and data collection systems. Developed and maintained by the DLMS User Association, it is widely adopted in the utility sector for electricity, gas, water, and heat metering.

- **DLMS (Device Language Message Specification):**

DLMS is a suite of protocols that define the language and methods for exchanging data between devices, particularly in metering applications. It focuses on the communication structure, ensuring reliable data transfer.

- **COSEM (Companion Specification for Energy Metering):**

COSEM specifies the object modeling of meter data and functionalities. It defines a set of standard objects and their attributes, which represent the data and functions of a metering device.

The DLMS/COSEM protocol is a vital component in the modernization of metering systems, providing a standardized, reliable, and flexible framework for data exchange and device communication. Its adoption supports the development of smart grids and advanced metering infrastructures, driving efficiency, accuracy, and interoperability in the utility sector. As the energy landscape evolves, DLMS/COSEM remains a cornerstone in enabling

intelligent, data-driven management of metering systems and resources.

IEC 62056-42	Physical Layer services and procedures for connection-oriented asynchronous data exchange
IEC 62056-46	Data Link Layer using HDLC Protocol
IEC 62056-47	COSEM Transport Layers for IPv4 Networks
IEC 62056-53	COSEM Application Layer
IEC 62056-61	Object Identification Class (OBIS)
IEC 62056-62	Interface Classes

Fig 3 DLMS/COSEM Protocol

4. BLOCKDIAGRAM OF PROJECT:

The DLMS to IoT Gateway project integrates traditional metering systems with modern IoT technologies to facilitate real-time monitoring and data analytics of electrical parameters. This system employs a combination of current transformers (CTs), potential transformers (PTs), an ESP32 microcontroller, a 16x2 LCD display, and a power supply to create a comprehensive energy management solution.

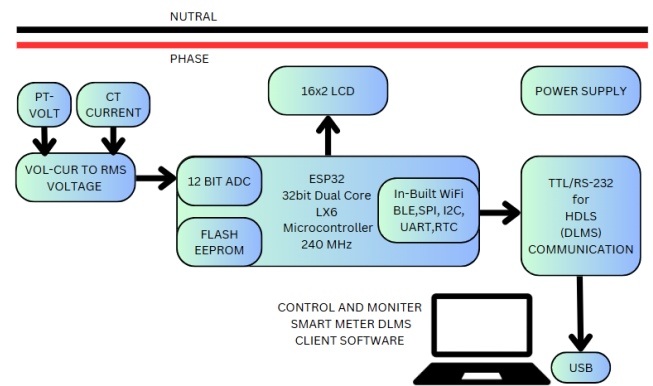


Fig 4. Block diagram of DLMS to IOT Gateway

The ESP32 serves as the server module, transmitting data to the Gurux client software, which is designed specifically for DLMS smart meters. The following description provides an overview of the key components and their interactions as depicted in the block diagram.

- **Current Transformer (CT):**

Function: Measures the current flowing through electrical conductors.

Output: Provides an analog signal proportional to the current, which is then fed into the signal conditioning circuit.

- **Potential Transformer (PT):**

Function: Measures the voltage levels in the electrical system.

Output: Delivers an analog signal proportional to the voltage, which is similarly processed by the signal conditioning circuit.

•**Voltage and Current to RMS Voltage Conversion:**

Function: Converts the analog signals from the CT and PT into RMS voltage values.

Purpose: Ensures accurate and consistent readings of electrical parameters for further processing by the ESP32.

•**ESP32 Microcontroller (Server Module):**

Function: Acts as the central processing unit of the system.

Capabilities: Processes the RMS voltage data. Converts the data into DLMS/COSEM-compliant format. Transmits data to the Gurux client software via Wi-Fi or another communication protocol.

Data Handling: Sends real-time data every second, ensuring up-to-date monitoring.

•**16x2 LCD Display:**

Function: Provides a local display of key electrical parameters.

Data Displayed: Voltage, current, power, and other relevant metrics.

User Interface: Allows users to quickly check the status and readings directly on the device.

•**Power Supply:**

Function: Supplies stable power to the entire system, including the CT, PT, ESP32, and LCD display.

Requirements: Ensures all components operate within their specified voltage and current ranges.

•**Gurux Client Software:**

Function: Receives and processes data sent by the ESP32.

Capabilities: Designed specifically for DLMS smart meters.

5. Result of Hardware Implementation and Client Software:

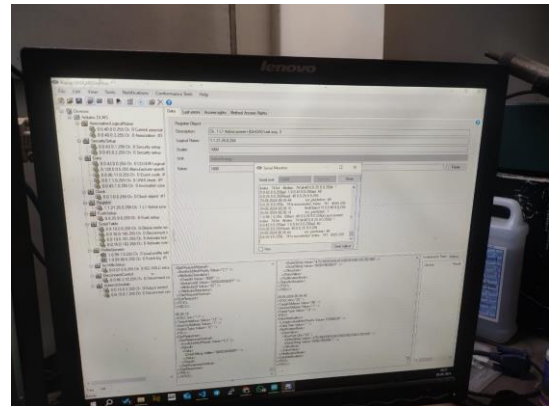


Fig 5 GURUX Software

In our research, we employed GURUX Software for Serial Monitor to facilitate the communication and monitoring of serial data between devices. This software provides a robust platform for visualizing and analyzing data streams in real-time, which is essential for troubleshooting and optimizing device interactions.

Additionally, we utilized the DLMS to IoT Gateway Client software to bridge the communication between DLMS/COSEM devices and IoT platforms. This gateway client converts DLMS/COSEM data into a format suitable for IoT applications, enabling seamless integration of traditional metering infrastructure with modern IoT ecosystems. The use of this client software ensures efficient data transfer, enhances interoperability, and supports the deployment of advanced metering infrastructure within an IoT framework.

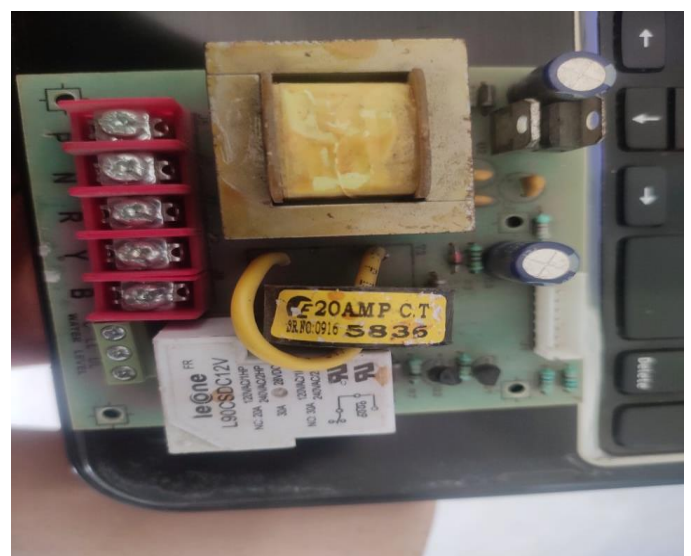


Fig 6. Hardware Implementation

6. Acknowledgment:

I extend my heartfelt gratitude to my esteemed mentors, Mr. Manan Desai and Dr. S. R. Panchal, for their invaluable guidance and unwavering support throughout my Master of Technology journey in Embedded Systems and VLSI Design. Their profound expertise, insightful feedback, and encouragement have been instrumental in shaping my research endeavors and refining this review paper. I am truly privileged to have had the opportunity to learn from their expertise and mentorship.

7. CONCLUSIONS

The integration of DLMS/COSEM smart meters with IoT platforms via the ESP32 microcontroller and Gurux DLMS client software provides a robust and efficient solution for real-time data acquisition and transmission. This DLMS to IoT gateway bridges the gap between traditional metering infrastructure and modern IoT ecosystems, enabling enhanced energy management, predictive maintenance, and data-driven decision-making. Our implementation demonstrates reliability, cost-effectiveness, and scalability, making it suitable for widespread deployment in smart grid applications. Future research will focus on incorporating advanced security measures and optimizing data handling protocols to further improve system robustness and efficiency.

BIOGRAPHIES:



Shah Amar, a dedicated research scholar at Dr. Subhas University, pursues a Master of Technology degree specializing in Embedded Systems and VLSI Design. With a keen focus on advancing knowledge in these dynamic fields, Shah's research endeavors encompass innovative approaches to address contemporary challenges and explore emerging trends in embedded systems and VLSI design.



Manan Desai is the head of the Electrical and EC department at Dr. Subhash University. His area of research is power systems and electric vehicles. He has written two books on power system protection and relay coordination. He has published seven papers and four patents in his research areas. His ongoing industry effort involves grid stability concerns with DISCOM businesses and the best locations for charging stations.



Dr. S R Panchal has received the B.E. (Electronics) degree from Sardar Patel University, M.E. (Automatic Control & Robotics) degree from The M S University of Baroda, Vadodara, and Ph.D. in E & C Engineering from Charotar University of Science and Technology (CHARUSAT), Changa in 2000, 2006, and 2018 respectively. At present, he is a Professor & Dean at School of Engineering and Technology, Dr. Subhash University.